

Quick Guide

1. Introduction

Thank you for purchasing AudioCodes **RX-PAD Meeting Room Controller!**

RX-PAD is a center-of-room intelligent touch controller that provides quick and complete access to the AudioCodes RXV81 or RXV200 Meeting Room. It enables capabilities such as one-click collaboration initiation with an integrated calendar, simple content sharing and camera adjustments, and much more, all while retaining a modest footprint on the conference room table.

RX-PAD leverages plug-and-play simplicity to provide a productive and familiar Microsoft Teams meeting experience, requiring only a Power-over-Ethernet (PoE) cable for quick installation. See [here](#) for detailed information.



2. Shipped Items

Make sure you received the following items in the shipped box:

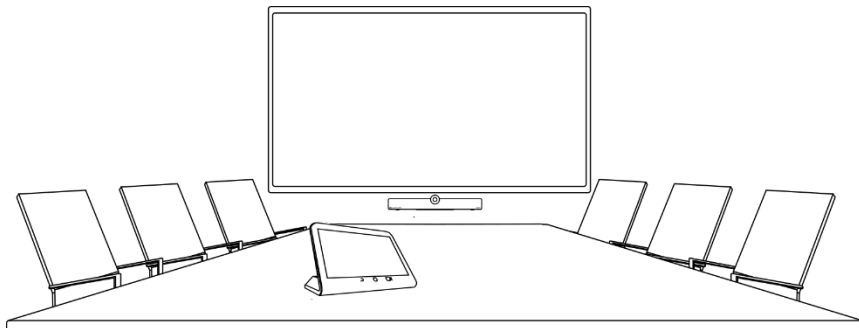
- ✓ RX-PAD
- ✓ Ethernet cable
- ✓ 12V 2A Power Adapter (100-240) (can be ordered separately)



For Wi-fi connectivity, you must use a power adapter.

3. Positioning

Position RX-PAD on the table for optimal management. Use this figure as reference.

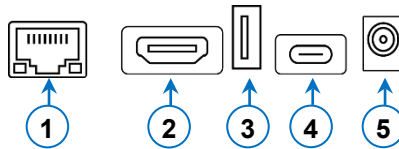


4. Cabling

RX-PAD's interface ports are concealed by a metal plate cover for protection. Prior to cabling RX-PAD, remove the cover by unscrewing the two screws, as shown below:



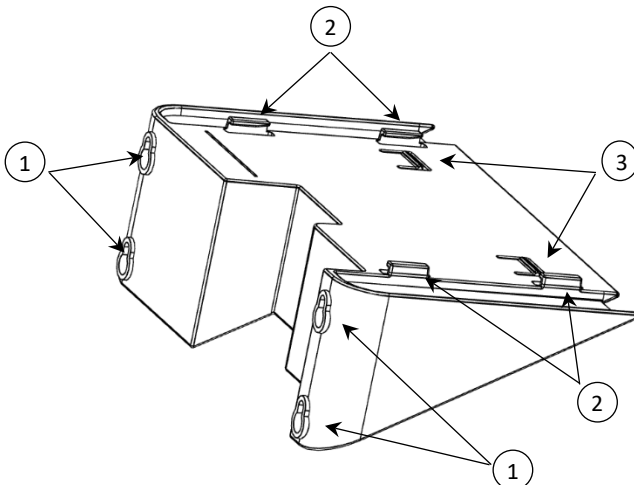
The RX-PAD ports are shown below:



L-R	Description
1	LAN PoE port
2	HDMI for external video ingest
3	USB Type A Super Speed [future implementation]
4	USB Type C [future implementation]
5	DC Jack for 12V/2A power supply adapter

5. Mounting RX-PAD on a Wall

RX-PAD has a mounting bracket for wall mounting (bracket/screws/wall anchors are not supplied and must be purchased separately).



Legend:

- ✓ 1 – Four holes for hanging the bracket on screws that are inserted in the wall.
- ✓ 2 – Four notches to be slid into the corresponding RX-PAD slots.
- ✓ 3 – Two clips to secure RX-PAD.

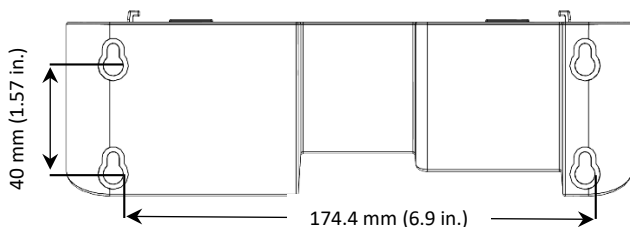
Wall-mounting RX-PAD includes the following four stages:

- ✓ Attaching the mounting bracket to the wall.
- ✓ Removing the rubber seals from RX-PAD's mounting grooves.
- ✓ Feeding the Ethernet cable (if required, the DC power cord too) through the mounting bracket and connecting to RX-PAD.
- ✓ Attaching RX-PAD to the mounting bracket.

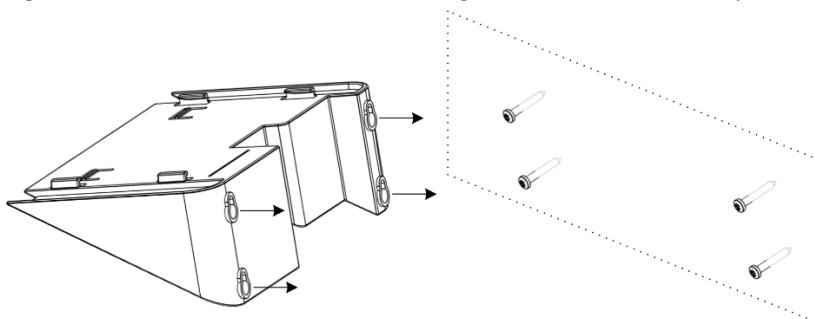
To wall-mount RX-PAD:

1. Attach mounting bracket to wall:

- a. Mark the locations of the screw holes on the wall. The vertical and horizontal distances between the screw holes is shown below:

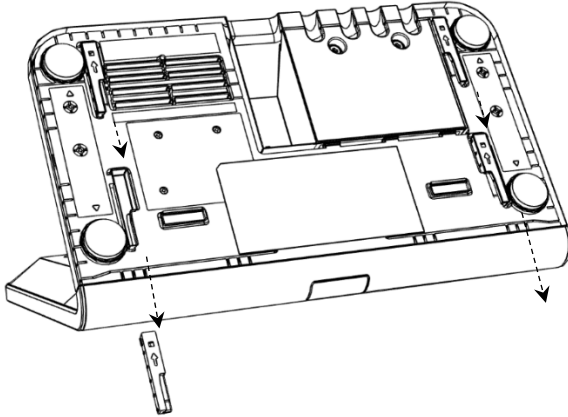


- b. Drill a hole in the wall for each of the four marked locations.
- c. Insert wall anchors (not supplied) into the drilled holes and then screw screws (not supplied) into the wall anchors. Leave a gap (approx. 5mm) between the screw head and the wall, for hanging the mounting bracket.
- d. Hang the bracket on the screw heads and then tighten the screws if necessary:



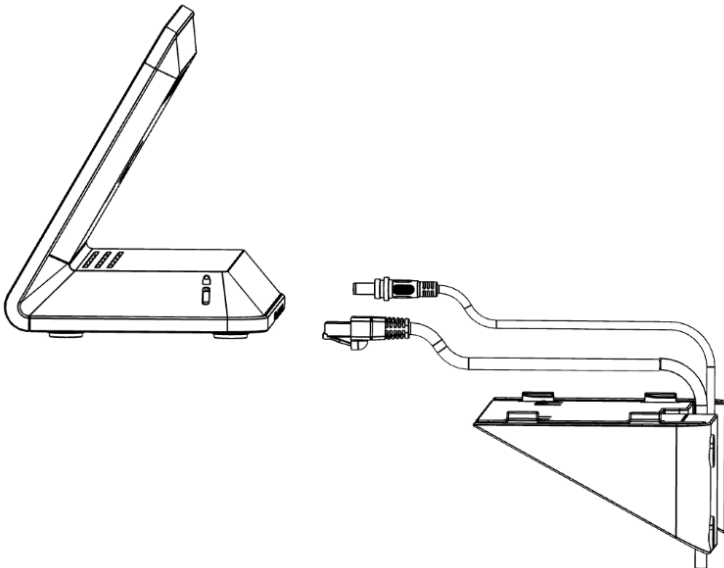
2. **Remove rubber seals from RX-PAD's mounting grooves:** Remove the four rubber seals from RX-PAD's base as shown here:

Figure 1: Removing the rubber seals



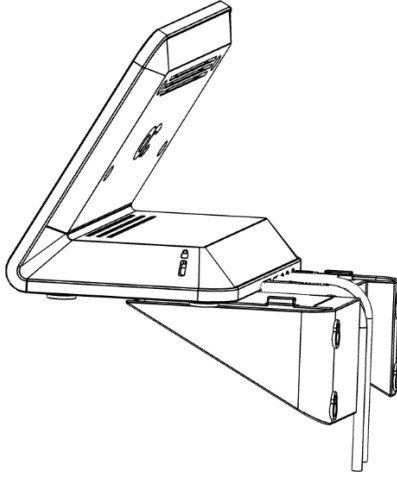
3. **Connect the Ethernet/Power cables:**

- a. Feed the Ethernet/Power cable through the mounting bracket's cable duct (from bottom).
- b. Connect them to their respective ports on RX-PAD:

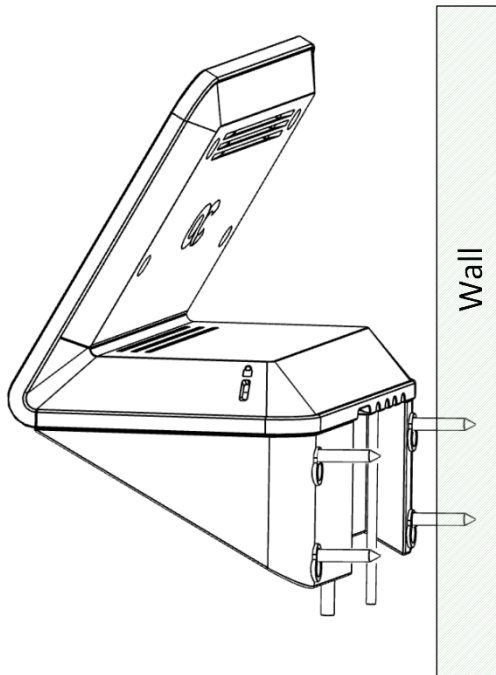


4. Attach RX-PAD to mounting bracket:

- a. Holding RX-PAD with both hands, enter its four mounting grooves onto the bracket's four notches and then slide RX-PAD towards the wall until the "click":



- b. Your RX-PAD is now fully wall-mounted and ready for use!



6. Powering Up

RX-PAD receives its power from the Ethernet cable (PoE). After connecting the Ethernet cable to RX-PAD's LAN PoE port, RX-PAD powers up.

The device can be powered up using a power adapter (not supplied; can be ordered separately).

7. Pairing RX-PAD with an MTRA

To pair RX-PAD with a Microsoft Teams Room on Android (MTRA) (AudioCodes' RXV81 or RXV200), see [here](#).

8. Managing RX-PAD

RX-PAD is managed by AudioCodes Device Manager. Management includes (but is not limited to):

- ✓ Monitoring
- ✓ Firmware management / upgrade
- ✓ Alarm management

For more information, see the *Device Manager User's & Administrator's Manual*.

9. Using RX-PAD with an MTRA

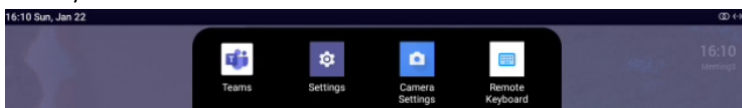


Use the table on the next page as reference.

Item #	Description
1	Press the back button to return to the previous screen.
2	Press to return to the home screen or long press to open the device's Settings screen.
3	Press to access the Camera Settings screen.
4	Press to open Microsoft Teams and device settings menu.
5	Click to join a scheduled meeting.
6	Passive Infrared (PIR) motion sensor (hidden). Upon sensing motion, it wakes up the RX-PAD from screensaver mode, automatically lighting up the screen to greet the user.
7	<ul style="list-style-type: none"> ■ Solid red indicates in a meeting. ■ Solid green indicates the RX-PAD is online and signed in. ■ Flashing red indicates incoming invite to join a meeting.
8	Drop-down menu to access RX-PAD app launcher with a single click (not shown in figure).

10. Advanced RX-PAD Functionality

Once RX-PAD is paired with the MTRA, on RX-PAD you can scroll down from the top to gain access to additional functionality:



- **Teams** – refreshes the UI of the device.
- **Settings** – enters the device settings menu.
- **Camera settings** – opens the Meeting Teams Room on Android device camera settings.
- **Remote keyboard** – controls the Meeting Teams Room on Android devices.

11. Specifications

For RX-PAD technical specifications, refer to the [RX-PAD Datasheet](#).

International Headquarters

6 Ofra Haza Street,
Naimi Park
Or Yehuda, 6032303, Israel
Tel: +972-3-976-4000
Fax: +972-3-976-4040

AudioCodes Inc.

80 Kingsbridge Rd
Piscataway, NJ 08854, USA
Tel: +1-732-469-0880
Fax: +1-732-469-2298

Contact us: <https://www.audiocodes.com/corporate/offices-worldwide>

Website: <https://www.audiocodes.com/>

©2024 AudioCodes Ltd. All rights reserved. AudioCodes, AC, HD VoIP, HD VoIP Sounds Better, IPmedia, Mediant, MediaPack, What's Inside Matters, OSN, SmartTAP, User Management Pack, VMAS, VoIPerfect, VoIPerfectHD, Your Gateway To VoIP, 3GX, VocaNom, AudioCodes One Voice, AudioCodes Meeting Insights and AudioCodes Room Experience are trademarks or registered trademarks of AudioCodes Limited. All other products or trademarks are property of their respective owners. Product specifications are subject to change without notice.



FCC Warning

Prior to operating RX-PAD and AudioCodes devices for Teams Rooms on Android, refer to the [regulatory information documents](#).

Notice Information

Information contained in this document is believed to be accurate and reliable at the time of printing. However, due to ongoing product improvements and revisions, AudioCodes cannot guarantee accuracy of printed material after the Date Published nor can it accept responsibility for errors or omissions. Updates to this document can be downloaded from <https://www.audiocodes.com/library/technical-documents>.

This document is subject to change without notice.

Document #: LTRT-18381

Date Published: July-03-2024

