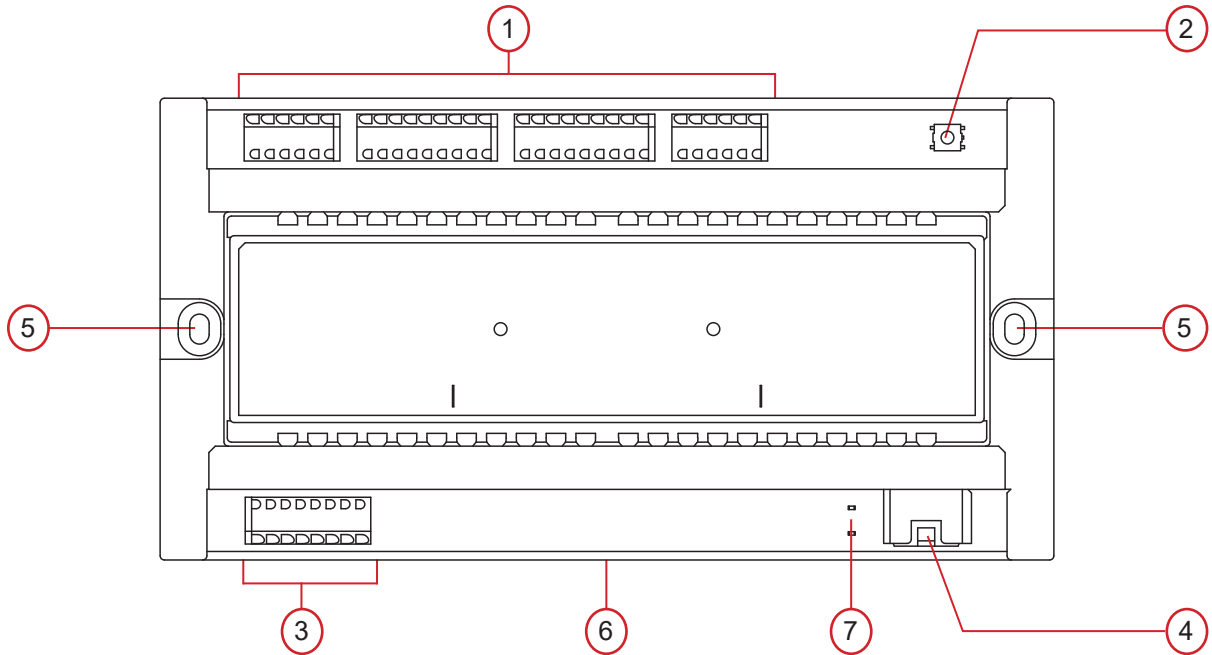


IXW-MAA

INSTALLATION MANUAL

The IXW-MAA is a multi-purpose adaptor for the IX Series. The adaptor features ten programmable Form C relay outputs and four inputs. The relays can be associated with particular stations for door release or status outputs, and the inputs can be configured to send commands to stations.



Names and Functions

1. Contact outputs
2. Reset button
3. Contact inputs
4. LAN/PoE connection
5. Mounting point
6. DIN Rail mount (on back of adaptor)
7. Status indicators

Features

- 10 programmable relay outputs (Form C)
- 4 programmable contact inputs (Form C)
- 802.3af PoE

Mounting

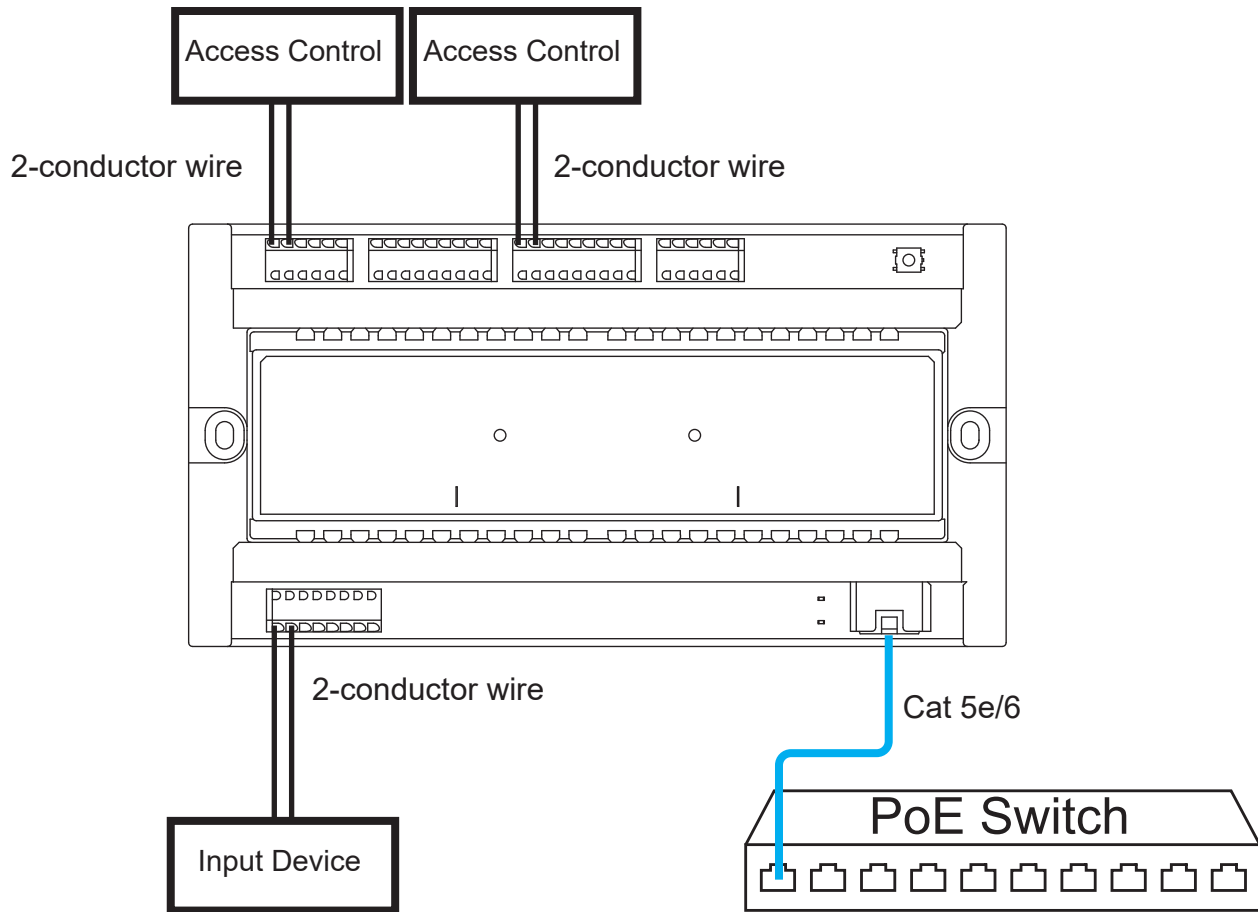
The IXW-MAA offers two mounting options:

1. Secured to a flat surface using screws and provided mounting points.
2. Mounted to a 170mm DIN rail using the DIN rail mount on the back of the IXW-MAA.

Package Contents

- IXW-MAA multi-purpose adaptor
- Installation Manual
- Programming Guide

Wiring Diagram



Specifications

Power Source:	802.3af PoE
Power Draw:	4.48 Watts (Max)
Dry Relay Output:	Form C
Contact Rating:	24V AC/DC @ 500mA
LAN:	Ethernet (10BASE-T, 100BASE-TX)
Protocols:	IPv4, IPv6, TCP, UDP, HTTP, HTTPS, SMTP, SFTP, DHCP, NTP, DNS
Port Security:	IEEE 802.1X
Operating Temp:	14° ~ 122°F / -10° ~ 50°C
Dimensions:	4-1/4" H x 8-1/4" W x 2-3/8" D

FCC WARNING:

This device complies with part 15 of the FCC Rules. Operation is subject to the following two conditions:

- (1) This device may not cause harmful interference
- (2) this device must accept any interference received, including interference that may cause undesired operation.

NOTE: This equipment has been tested and found to comply with the limits for a Class B digital device, pursuant to part 15 of the FCC Rules. These limits are designed to provide reasonable protection against harmful interference in a residential installation. This equipment generates, uses and can radiate radio frequency energy and, if not installed and used in accordance with the instructions, may cause harmful interference to radio communications. However, there is no guarantee that interference will not occur in a particular installation. If this equipment does cause harmful interference to radio or television reception, which can be determined by turning the equipment off and on, the user is encouraged to try to correct the interference by one or more of the following measures:

- Reorient or relocate the receiving antenna.
- Increase the separation between the equipment and receiver.
- Connect the equipment into an outlet on a circuit different from that to which the receiver is connected.
- Consult the dealer or an experienced radio/TV technician for help.

FCC CAUTION: Changes or modifications not expressly approved by the party responsible for compliance could void the user's authority to operate the equipment.
INDUSTRY CANADA CAN ICES-3 (B)/NMB-3(B)

For more details about the features and information above, please contact Technical Support.