

BalanceBox Mobile Stand Base

The BalanceBox Mobile Stand Base is a cost-effective and adaptable mobile display cart that provides a fixed height adjustment. Equipped with smooth-rolling, lockable caster wheels, effortlessly move your interactive flat panel or display anywhere, be it classrooms, conference rooms, or collaborative workspaces. The stand includes a full width tray that offers ample storage space for remote controls, stylus pens, and other devices. The stand's robust construction guarantees stability, allowing for worry-free interaction even during dynamic presentations.

Fixed Height

The Mobile Stand Base offers three fixed-height adjustments and includes a VESA mount that supports 200x200 up to 800x600 displays.

FEATURES

- Supports displays up to 86"
- VESA mount included (200x200 up to 800x600)
- 3 fixed height positions 3.5" intervals
- Full width laptop tray
- 4" heavy-duty lockable casters
- Certifications CE recognized



Mobile Stand Base with VESA mount and display

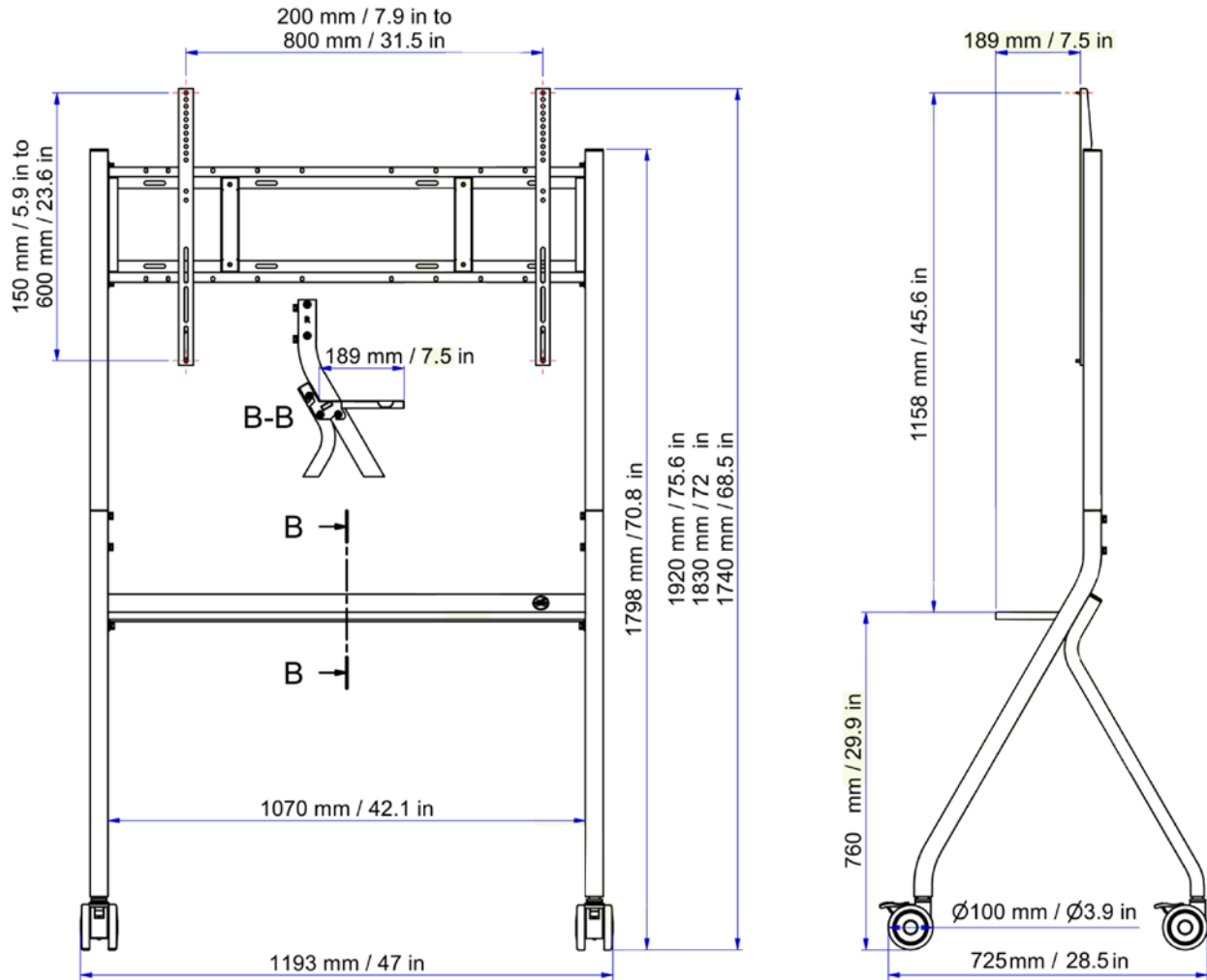


Mobile Stand Base with VESA mount



Top view

DIMENSIONS



SPECIFICATIONS

Part Number	AVT-481A98001
Display Sizes	Up to 86"
Dimensions (HxWxD)	75.6 x 47 x 28.5 Inches (1920 x 1194 x 724 mm)
Fixed Height Adjustment	3 fixed height mounting positions 3.5" [90 mm] intervals
Load Capacity	264 lbs. (120 kg.)



Call 800.285.8315 or visit AVTEQ.net