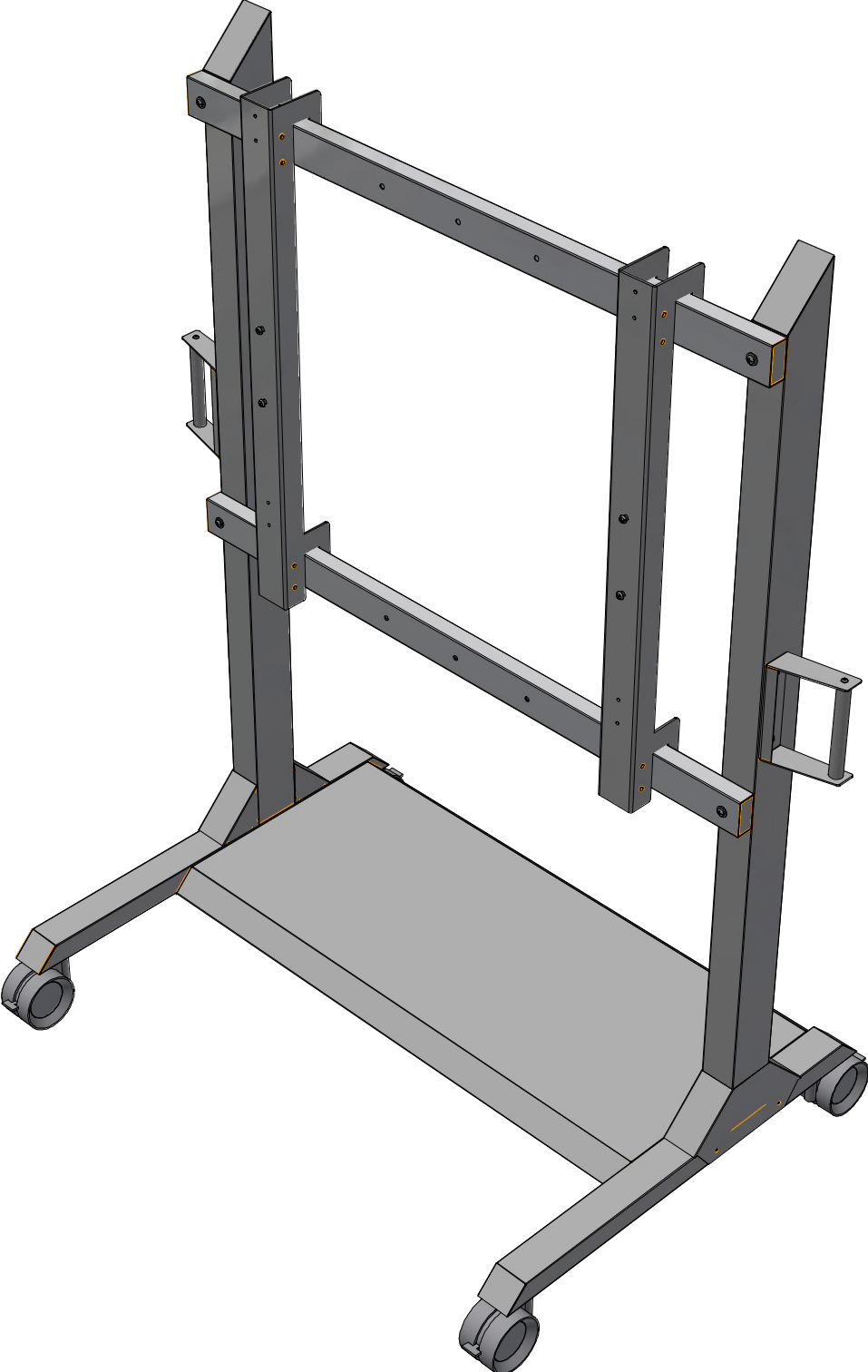




EASY SETUP GUIDE

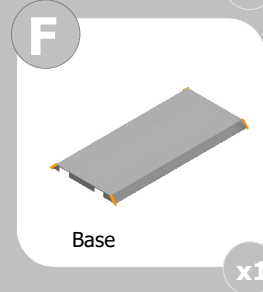
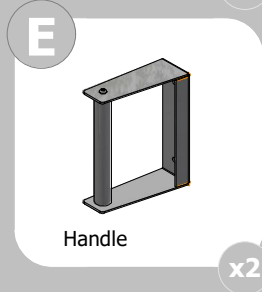
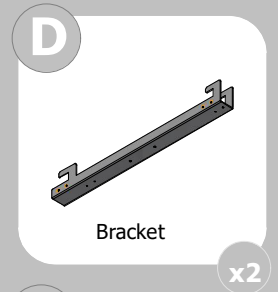
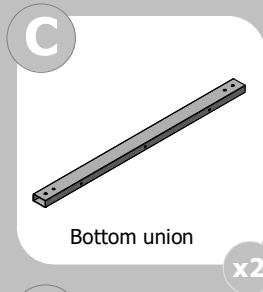
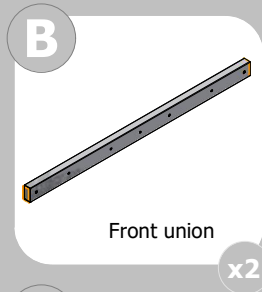
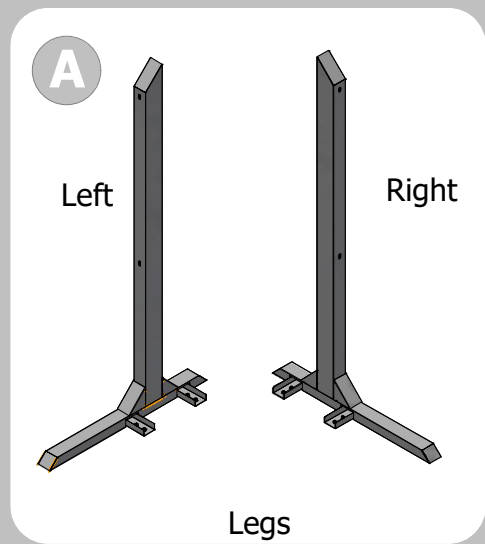
---

# MAX Cart

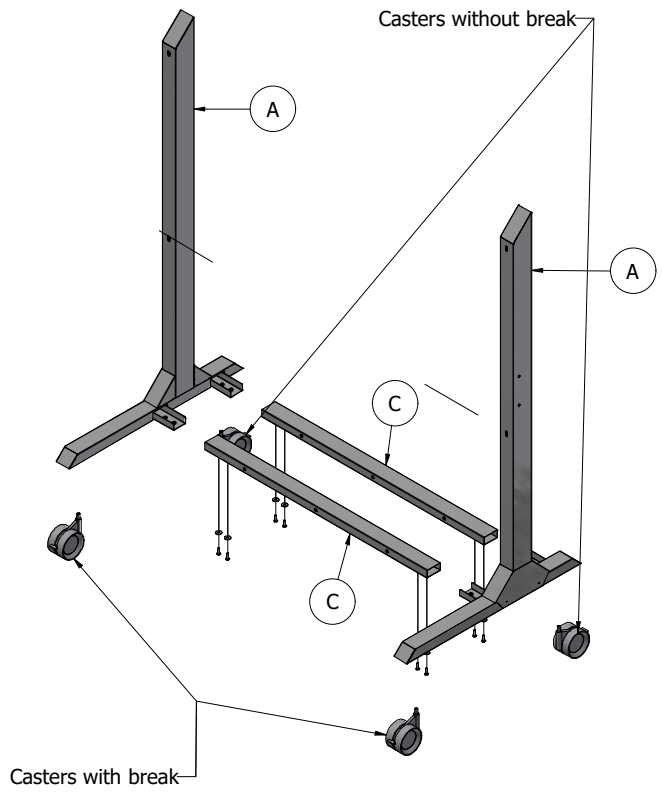


# Items included

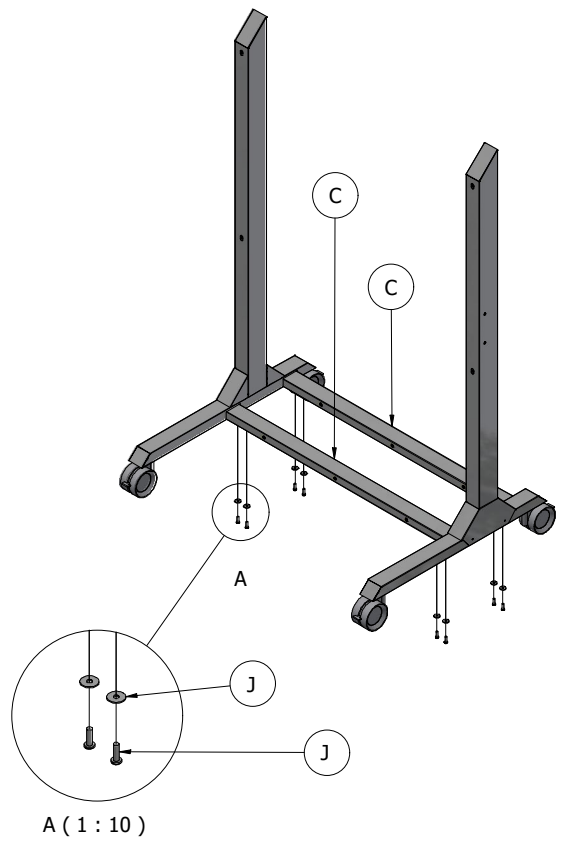
Items not included:  
- Phillips screw driver



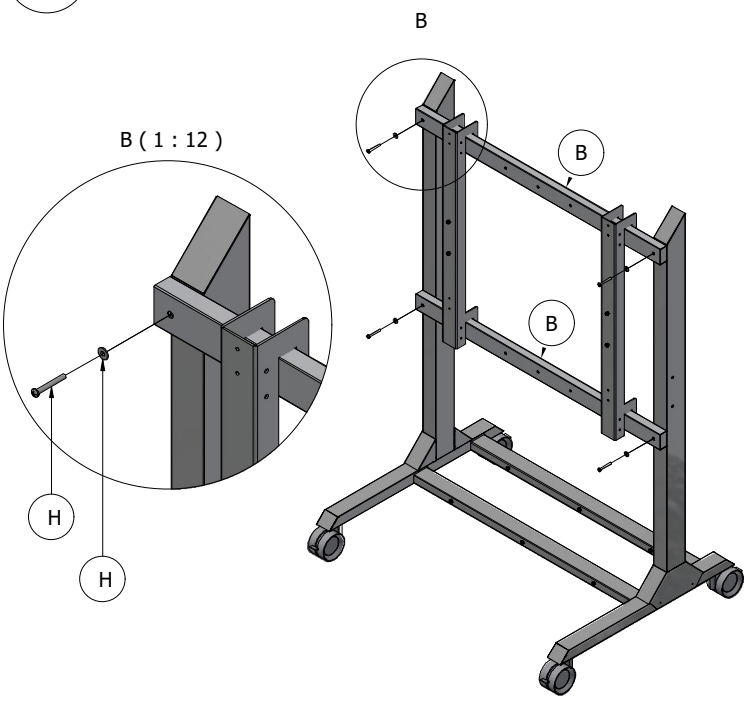
**1** Install the casters to the legs as shown



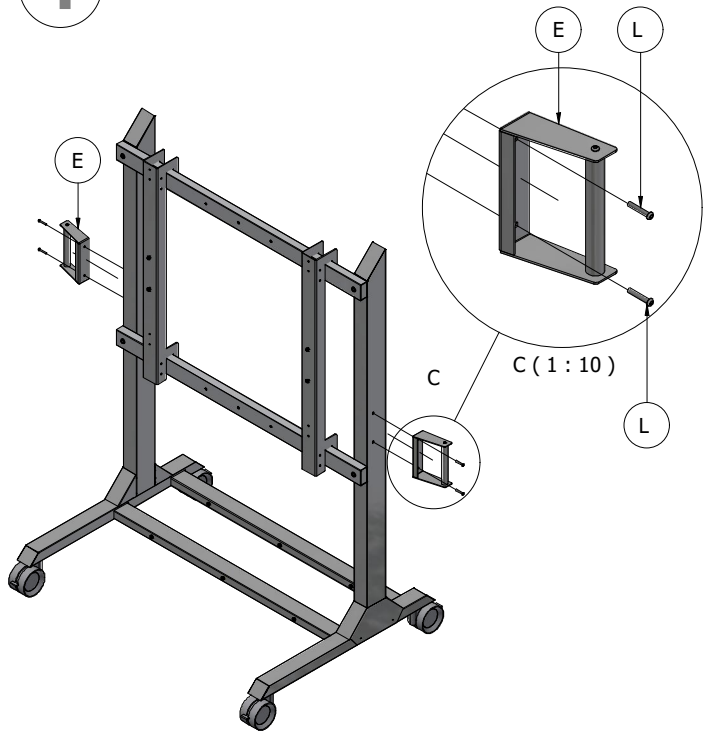
**2** Secure both legs with the front union **C**, using items **J** as shown



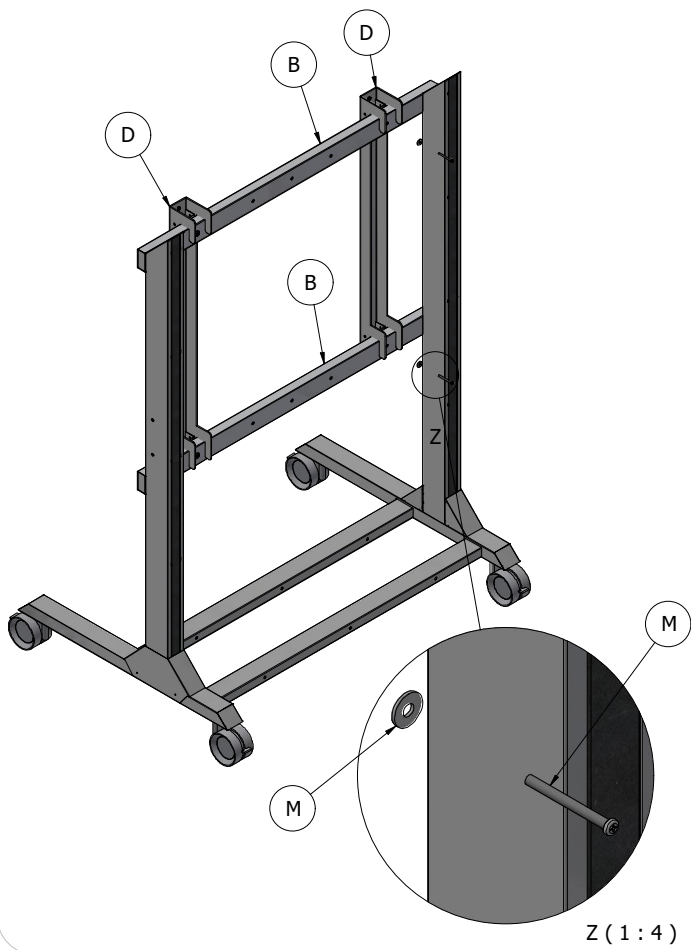
**3** Secure the front unions **B**, using **H** as shown



**4** Attach the handles **E**, using the screws **L**



**4** Hook the brackets **D** to the front union **B** and secure with screw and washer **M**.



**5** Attach the base **F** to the bottom union **C** with screws **I** and washer **K**.

