

Neat Frame Floor Stand

The simple design of Avteq's Neat Frame Floor Stand makes it perfect for hot desking areas, open area meeting rooms, and as a virtual assistant in office lobbies. With its minimalist and sleek design, the Neat Frame Floor Stand compliments any environment.

Standing at five feet tall, the stand is an ideal height for the Neat Frame's front-facing tweeter and woofer to ensure clear audio. Users can easily engage with the Neat Frame, creating an enhanced user experience. The Neat Frame Floor Stand is made of 100% steel which ensures stability, even in high-traffic areas. Also, the stand is quick to assemble and disassemble, allowing for hassle-free relocation or storage.



FEATURES

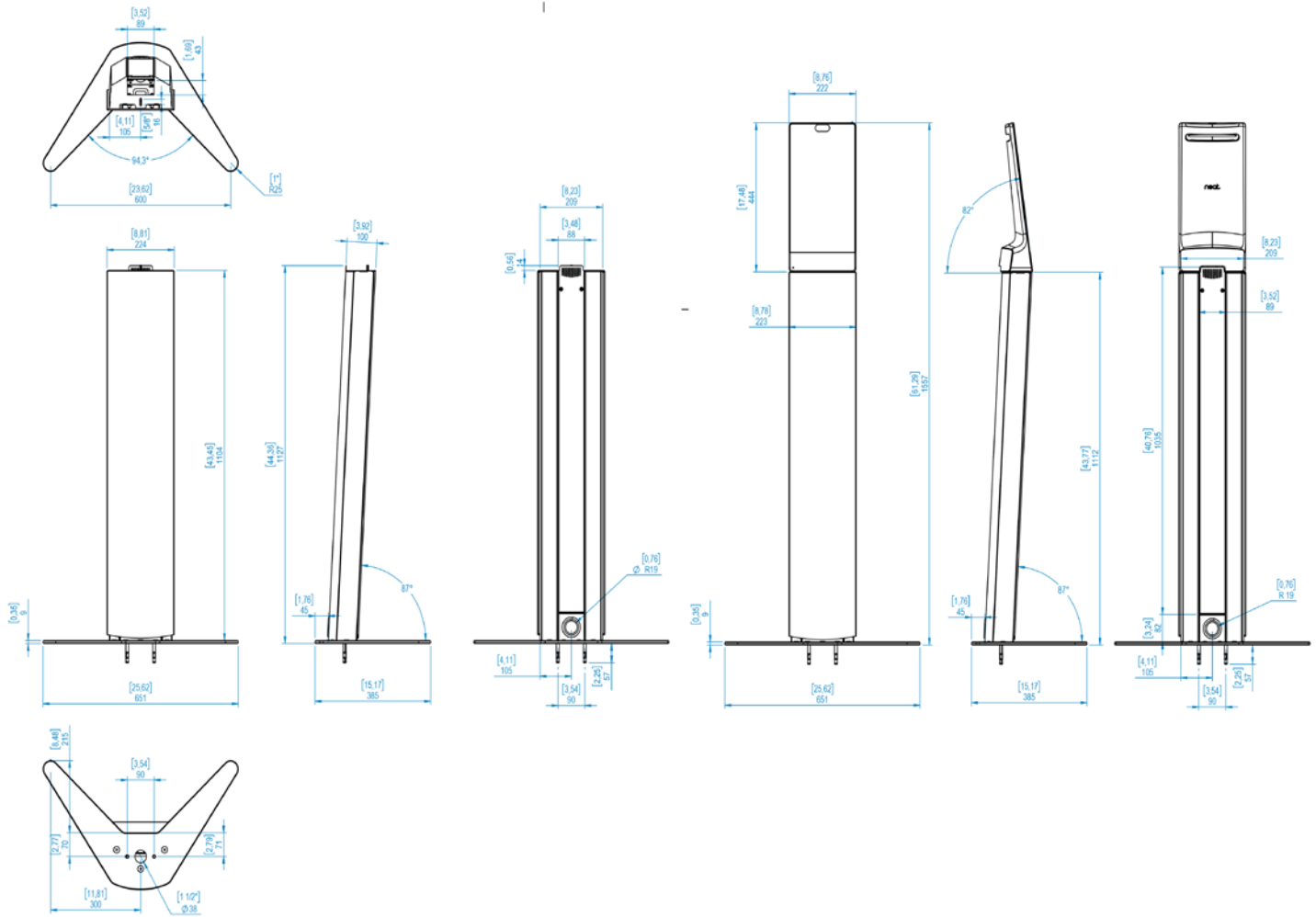
- Black powder coat finish
- 100% solid steel construction
- TAA-compliant



Front view

Back view

DIMENSIONS



SPECIFICATIONS

Part Number	NEATFRAME-STAND
Dimensions (HxWxD)	
Neat Frame Floor Stand	43 x 26 x 15 Inches (1092 x 660 x 381 mm)



Call 800.285.8315 or visit AVTEQ.net