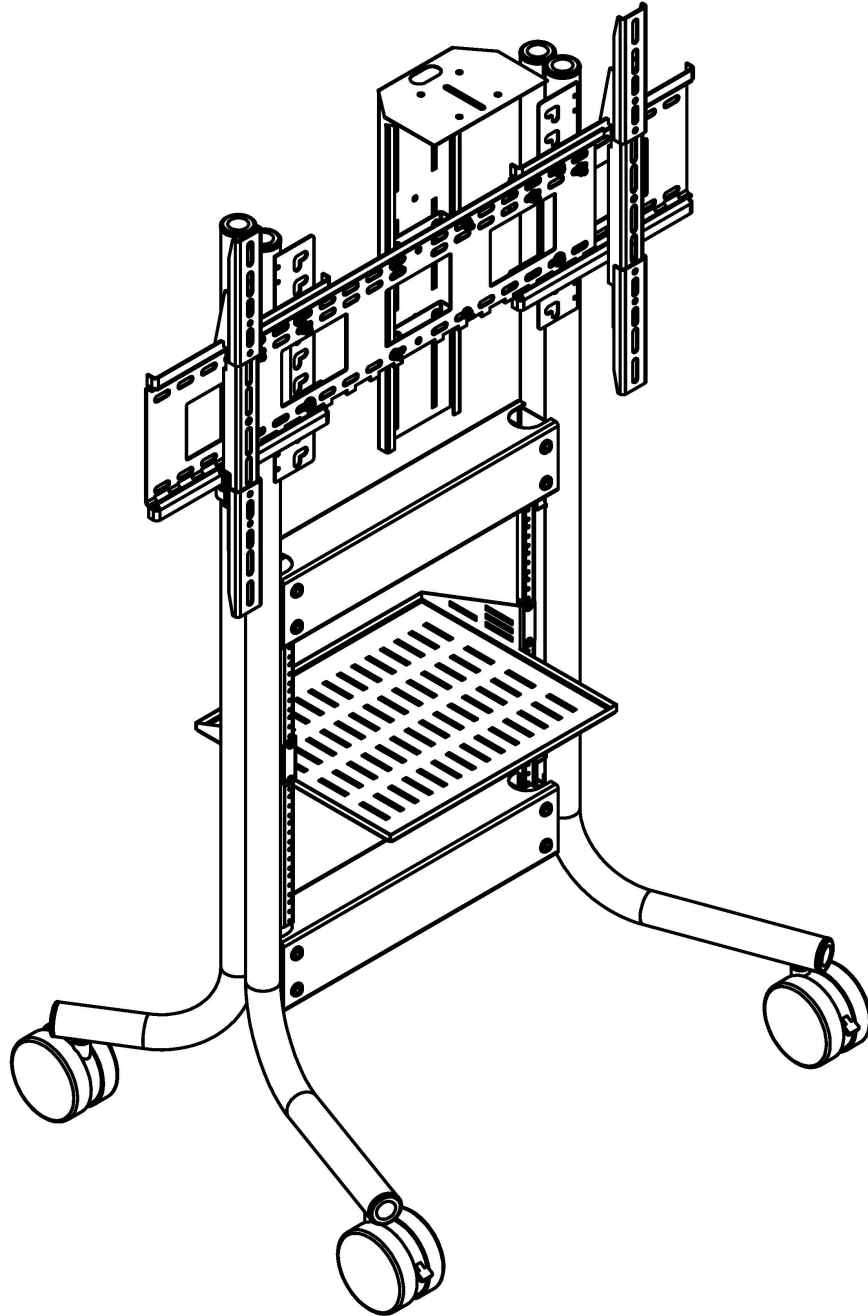




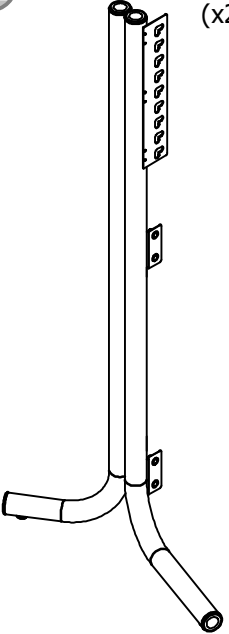
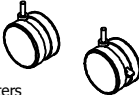
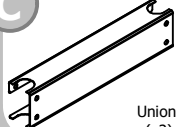


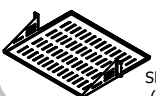


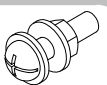
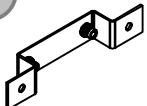
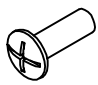

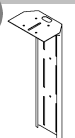

EASY SETUP GUIDE

RPS-500 S/L/BASIC

RPS-500 CSB55/CSB70

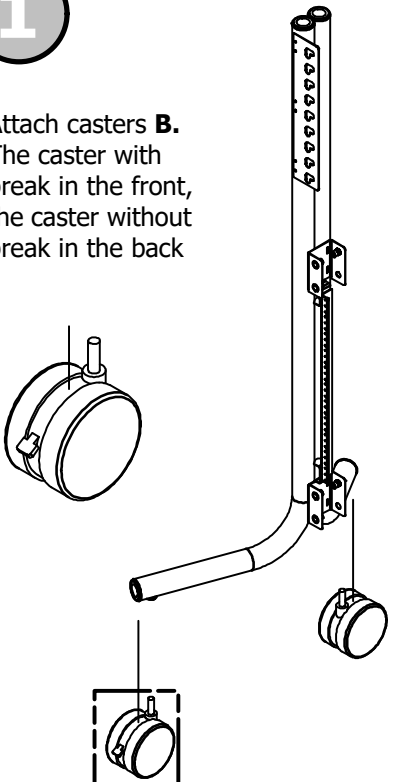


Items Included

<p>A</p>  <p>Leg (x2)</p>	<p>B</p>  <p>Casters With break (X2) Without break (X2)</p>	<p>C</p>  <p>Union (x2)</p>	<p>D</p>  <p>Philips Head screw 5/16"x 1" (x12)</p>	<p>E</p>  <p>5/16" Washer (x12)</p>
	<p>F</p>  <p>Shelf (X1)</p>	<p>G</p>  <p>Rack screw 10/32 (x4)</p>	<p>H</p>  <p>Display mount (X1)</p>	<p>I</p>  <p>Philips Head screw 5/16" x 1 1/4" (x1) 5/16" Washer (x2) 5/16" Nut (x1)</p> <p>UM kit (X4)</p>
	<p>J</p>  <p>Bracket (x2)</p>	<p>K</p>  <p>Philips Head Screw 1/4"x 3/4" (x8)</p>	<p>L</p>  <p>1/4" Washer (x12)</p>	<p>M</p>  <p>Camera extension (x1)</p>
	<p>N</p>  <p>1/4" Nut (x4)</p>			

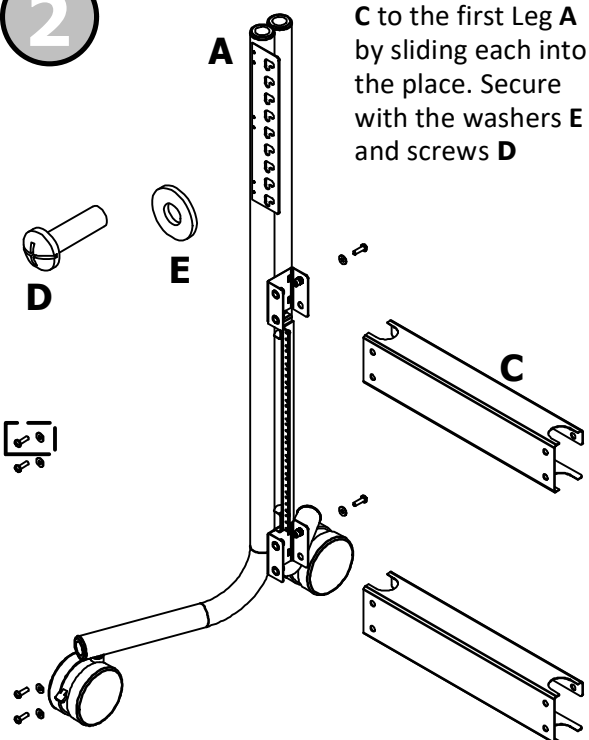
1

Attach casters **B**. The caster with break in the front, the caster without break in the back

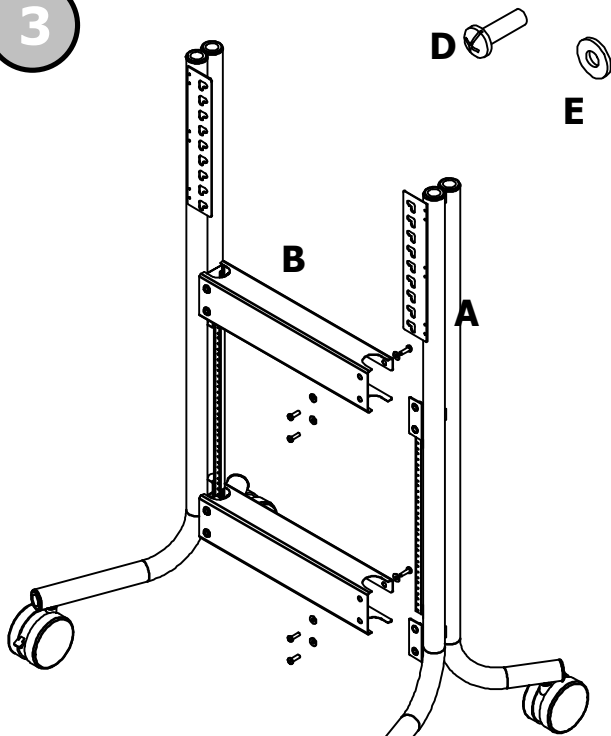


2

Attach the unions **C** to the first Leg **A** by sliding each into the place. Secure with the washers **E** and screws **D**



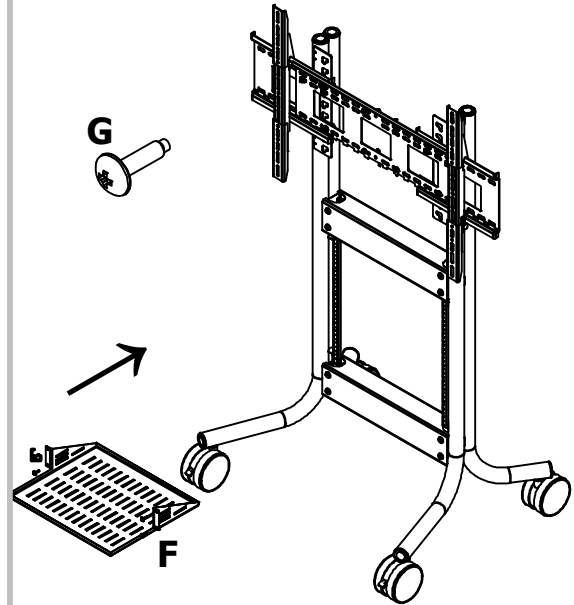
3



Attach the unions **B** to the other leg **A** with the washers **E** and screws **D**

4

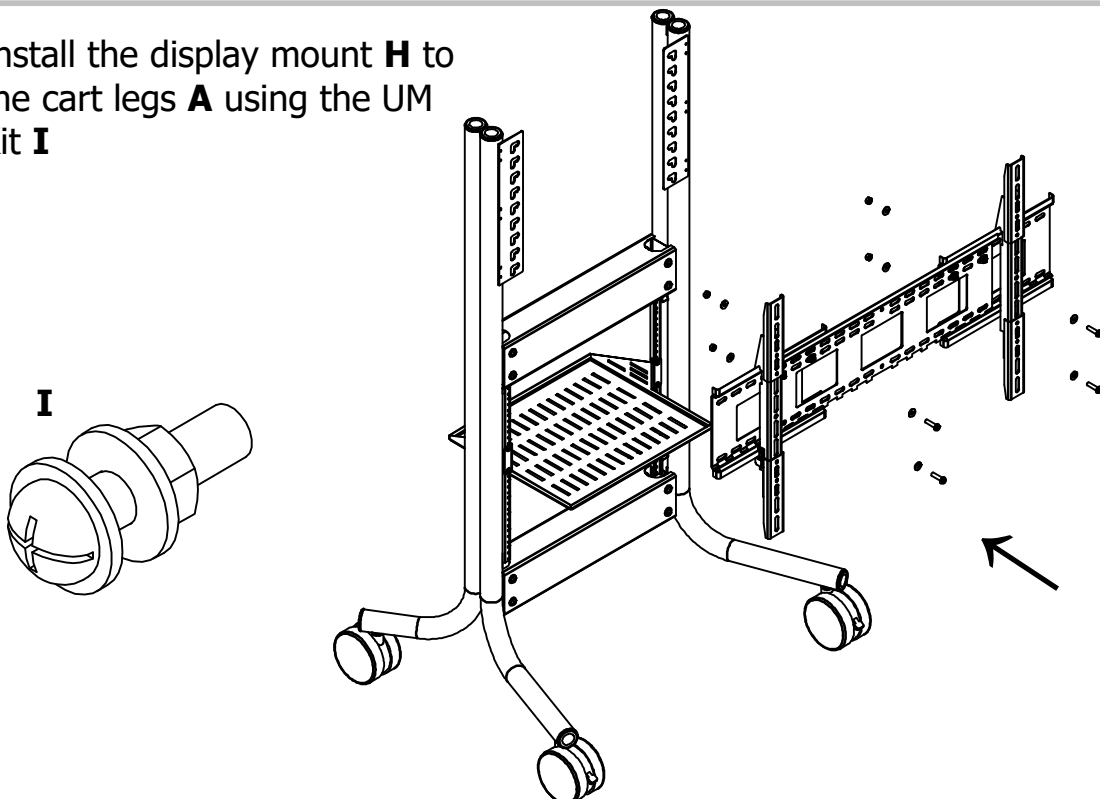
Skip this step for RPS-500-BASIC



Attach the shelf **F** to the rack rails with rack screw **G**

5

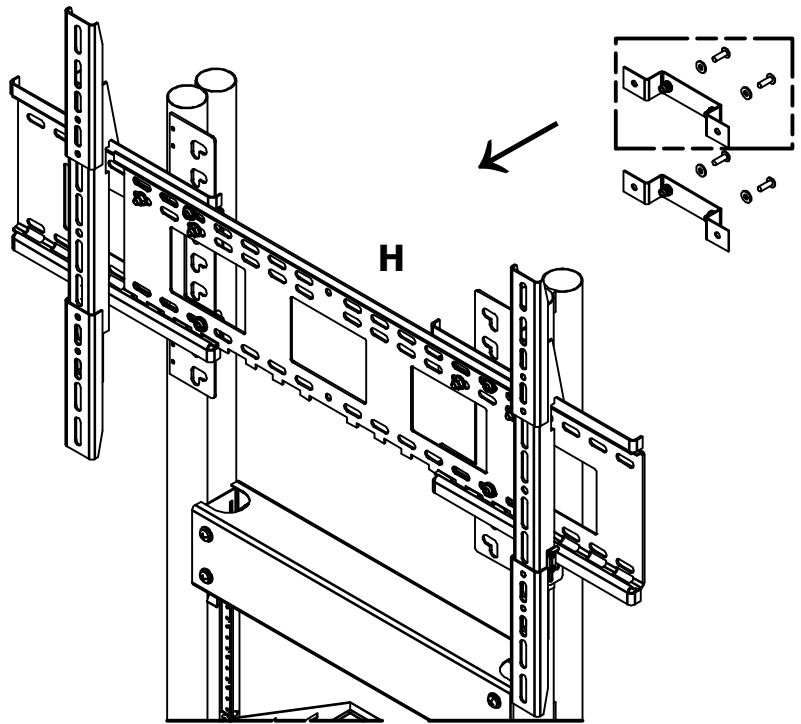
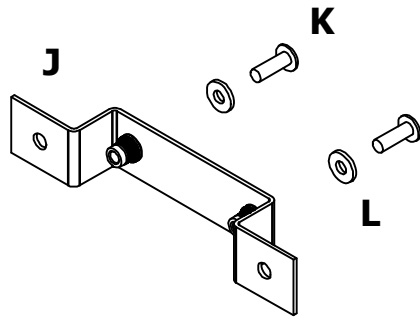
Install the display mount **H** to the cart legs **A** using the UM Kit **I**



RPS-500-CSB55/70 and RPS-500-BASIC assembly instructions end here.

6

Attach Bracket **J** to Display Mount **H** using 4 screws **K** and 4 washers **L**



7

Attach camera extension **M** to bracket **J** using 4 screws **K**, 8 washers **L** and 4 nuts **M**

