

Poly TC8 Surface Wall Mount

The Poly TC8 surface mount is an affordable and easy to install mount to safely secure your TC8 touch panel to the wall. The TC8 mount installs directly on the wall or attached to a 1-gang or 2-gange wall box.

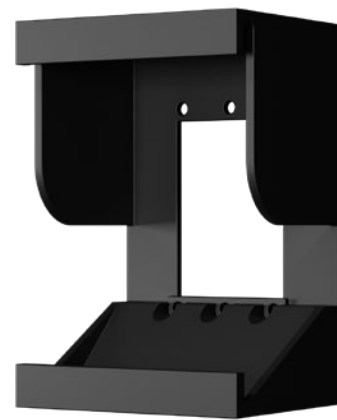
Once installed, the TC8 touch panel easily slides into the grooves on the wall mount and is secured with a set screw at the bottom of the mount. The TC8 surface mount is available in black.

FEATURES

- Mounts directly to the wall or attaches to a 1-gang or 2-gang wall box
- Mounting hardware included
- Black
- TAA compliant



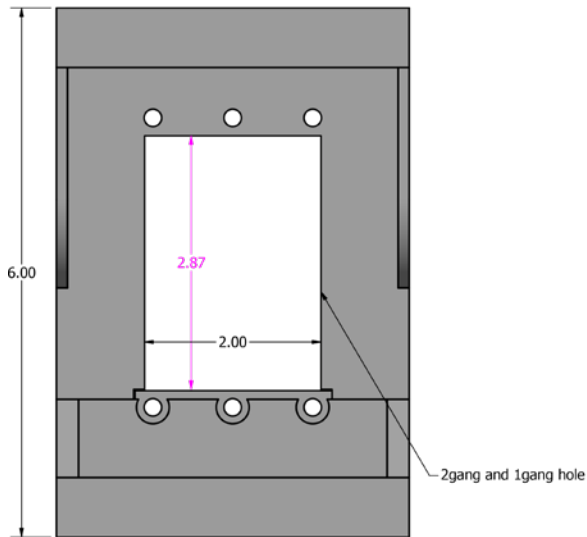
TC8 Surface Mount
with TC8 panel



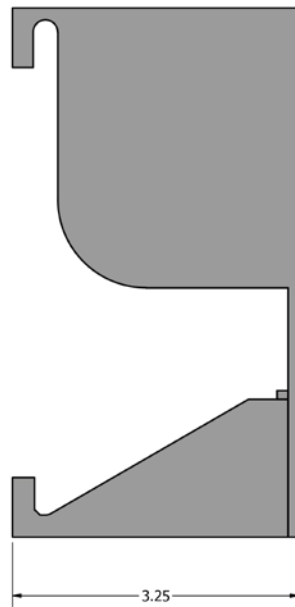
TC8 Surface Mount

SPECIFICATIONS

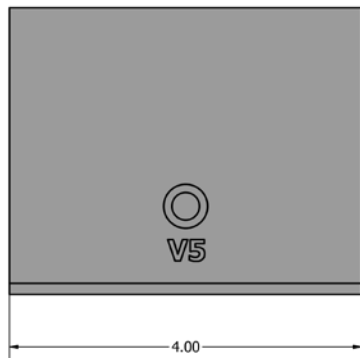
Front



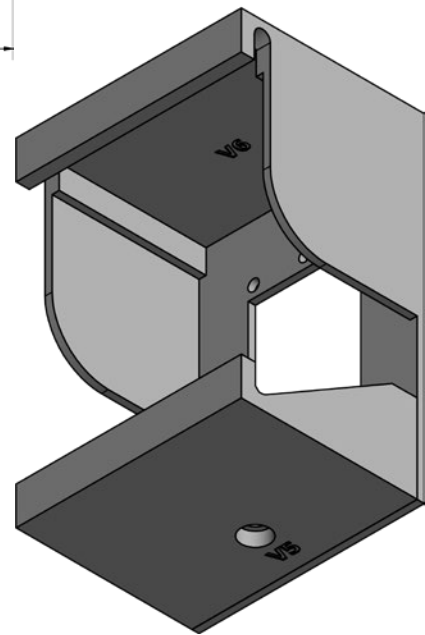
Side



Bottom



Isometric



SPECIFICATIONS	
Part Number	TC8-SM
Dimensions (HxWxD)	
Surface Wall Mount	6 x 4 x 3.25 Inches (152 x 102 x 83 mm)



Call 800.285.8315 or visit AVTEQ.net