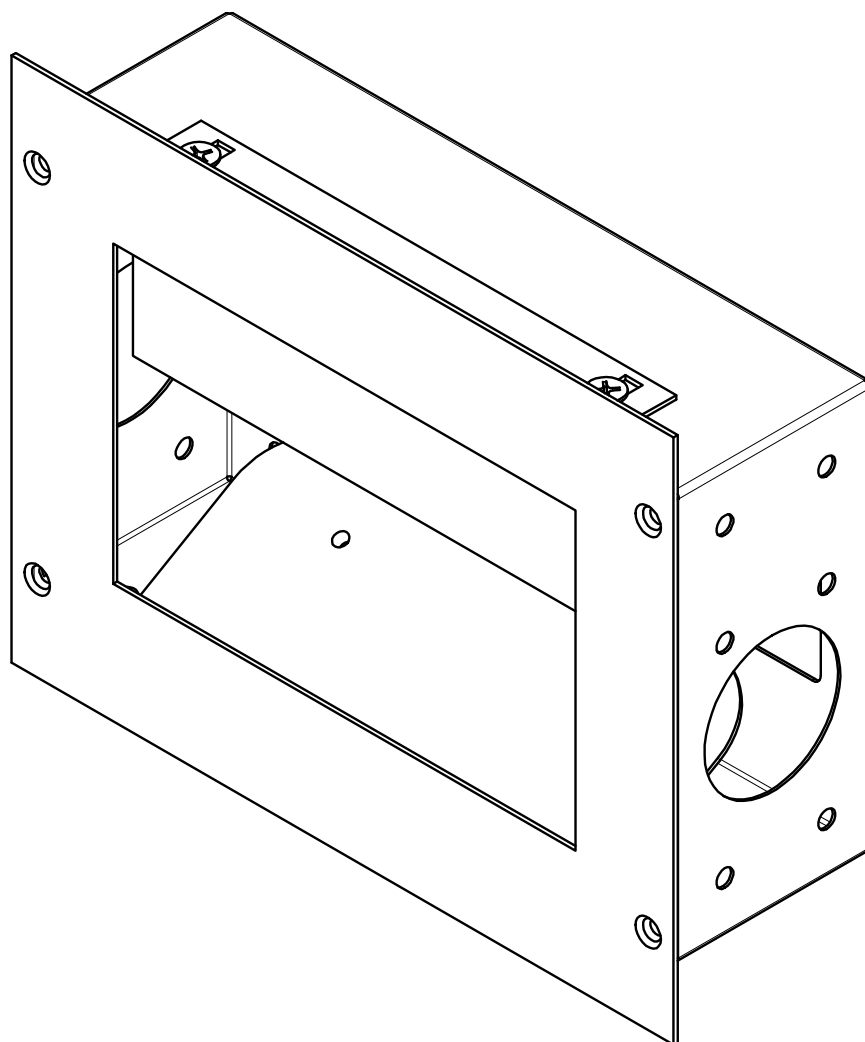




Install Guide

TC8-WMP

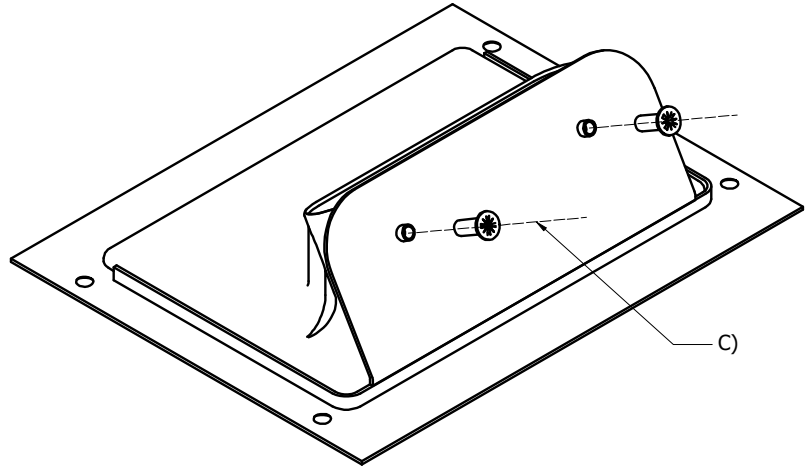


1

A) Place the face plate face down on a table.

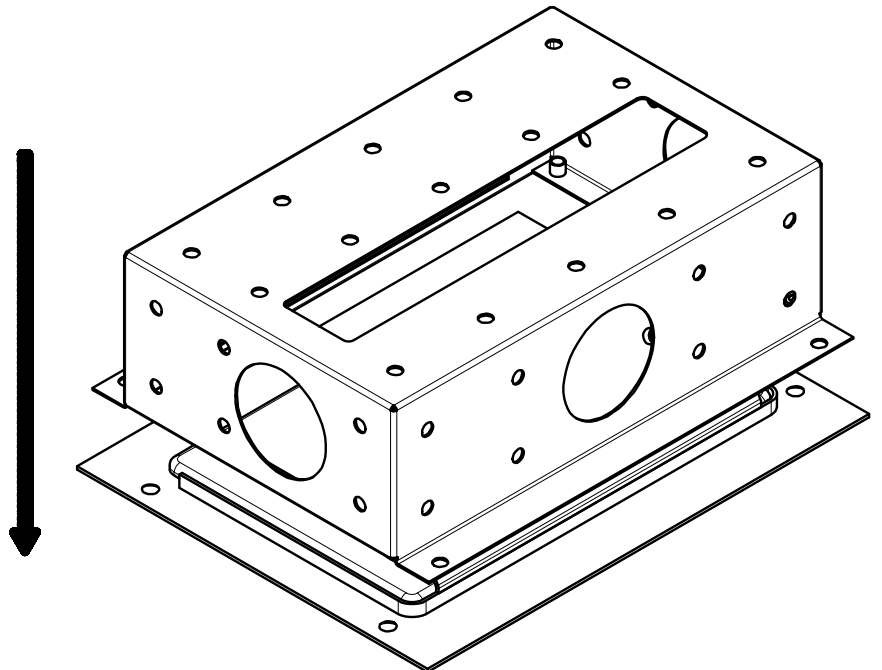
B) Slide the touch panel into the "U" shaped channel on the back of the face plate in front of the flange.

C) Tighten 1/4-20 screws on flange until they touch the TC8. Do not overtighten. The touch panel should sit in the bottom of the channel in the flange.



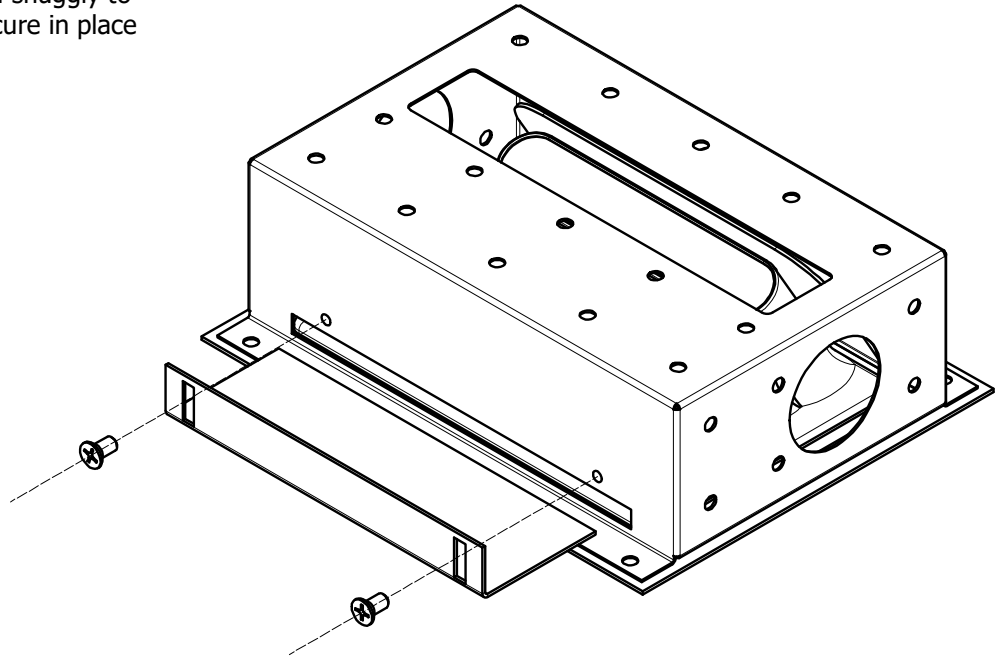
2

Place the wall box over the back of the face plate lining up the four holes on the faceplate.



3

Place L bracket into the top of the wall box. Use the L bracket to secure the touch panel snugly to the front of the face plate and then secure in place with 1/4-20 screws provided.



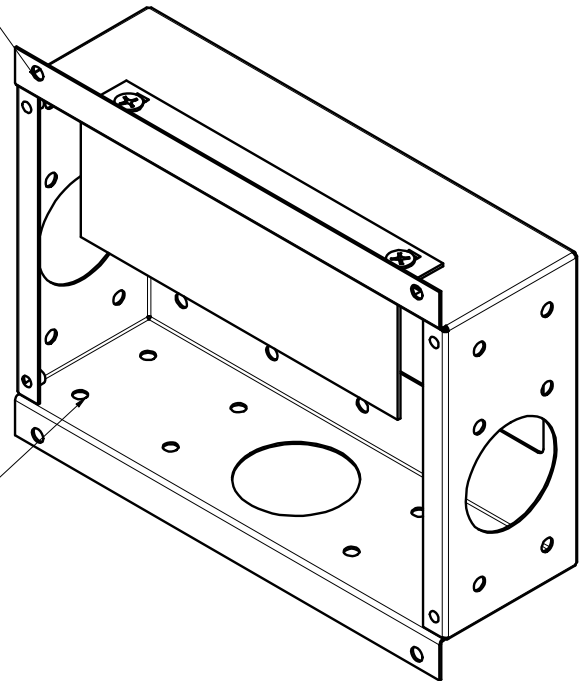
4

Remove the wall box with the L bracket in place from the face plate. Place the wall box in the wall. Secure with either wall anchors on the front flanges or directly to a stud.

Note: The cutout for the wall needs to be 9.5" wide and 6" tall.

secure with wall anchors

secure to studs



5

Slide the face plate into the wall box and secure with four 1/4-20 screws

