

Amplified Speakers Models AS1, ASUG1(DK), and ASWG1(DK)

Installation and Use Manual



Description

Bogen's self-amplified ceiling speakers are 8-inch, cone-type loudspeakers, complete with built-in amplifier and volume control knob.

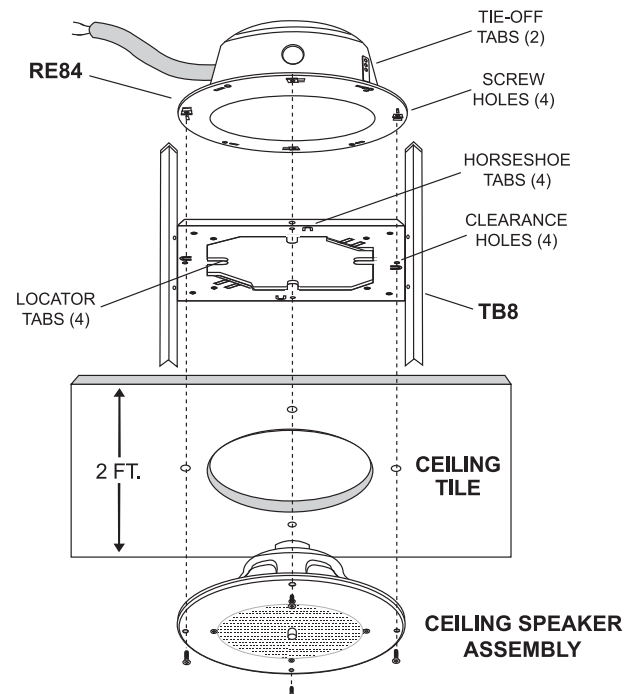
Model	Style	Power Requirements	Power Rating	Mounting Accessories
AS1	Unmounted Cone Speaker with 1W Amplifier and Volume Control	1 CU (50 mA)	1W	Grilles: SG8W, PG8U, PG8W
ASUG1, ASWG1	AS1 Mounted onto Steel Ceiling Grille (PG8U or PG8W) with Fixed, Volume Control Knob			TB8, RE84, MR8
ASUG1DK, ASWG1DK	AS1 Mounted onto Steel Ceiling Grille (PG8U or PG8W) & Detachable Volume Control Knob			

Installation Instructions for ASUG1(DK) and ASWG1(DK)

Note: Do not mount the speaker near noise generating equipment (fans, motors, etc.) and do not use where a normal conversation cannot be conducted.

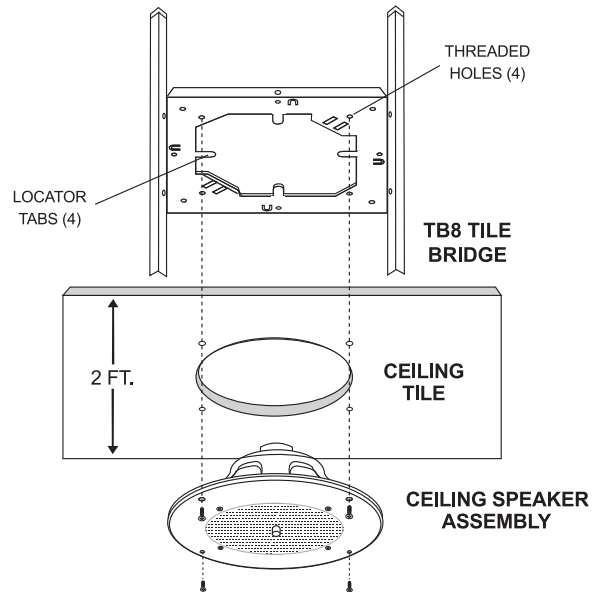
TB8 and RE84 Installation

1. Place ceiling tile with the finished side facing up over a large trash can (to provide support and save cleanup time).
2. Cut hole in the center of the ceiling tile, using the raw speaker as a guide.
3. Bend (4) horseshoe tabs upward on tile bridge.
4. Position the tile bridge on the unfinished side of the ceiling tile and bend (4) locator tabs into tile opening to prevent sliding.
5. Slip tie-off tabs (2) through RE84 tie-off tab slots until they click into place and secure customer-supplied "tie-off" wire to tab.
6. Punch out knockout in the RE84. Install listed metallic enclosure entry fitting to knockout to accommodate plenum cable or plenum. Whip and feed cable or whip through the knockout.
7. Install RE84 to tile bridge by orienting horseshoe tab slots (4) over horseshoe tabs (4) of bridge.
8. With pliers, twist horseshoe tabs (4) of tile bridge 1/2 turn, securing enclosure to bridge.
9. Screw the Ceiling Speaker assembly to the RE84 using (4) 8-32 screws provided with the Ceiling Speaker assembly, sandwiching the TB8 and ceiling tile in between. The screws must go through the TB8 clearance holes as shown. (Screws anchor into the RE84.)



TB8 Only Installation

1. Place ceiling tile with the finished side facing up over a large trash can (to provide support and save cleanup time).
2. Cut hole in the center of the ceiling tile, using the raw speaker as a guide.
3. Position the tile bridge on the unfinished side of the ceiling tile and bend (4) locator tabs into tile opening to prevent sliding.
4. Install Ceiling Speaker assembly using (4) 8-32 screws and the threaded holes of the tile bridge as shown. (Screws are provided with Ceiling Speaker assembly.)



Electrical Connections and Adjustments

Power (24V DC) and audio are supplied to each speaker via four screw terminals. When two or more speakers are used in a single paging station, wire all audio and power supply connections in parallel.

Power supply connections are made at the screw terminals marked "+" and "-". Audio connections are made at the screw terminals marked TIP and RING. The speaker power input is not polarity sensitive and will also work properly if the "+" and "-" connections are reversed.

A volume control knob is provided to adjust the volume of the speaker. The knob is detachable on the ASUG1DK and ASWG1DK models to prevent tampering with the volume control.

Limited Warranty; Exclusion of Certain Damages

The **Bogen Amplified Speakers: AS1, ASUG1(DK), and ASWG1(DK)** are warranted to be free from defects in material and workmanship for two (2) years from the date of sale to the original purchaser. Any part of the product covered by this warranty that, with normal installation and use, becomes defective (as confirmed by Bogen upon inspection) during the applicable warranty period, will be repaired or replaced by Bogen, at Bogen's option, provided the product is shipped insured and prepaid to: Bogen Factory Service Department, 50 Spring Street, Ramsey, NJ 07446, USA. Repaired or replacement product will be returned to you freight prepaid. This warranty does not extend to any of our products that have been subjected to abuse, misuse, improper storage, neglect, accident, improper installation or have been modified or repaired or altered in any manner whatsoever, or where the serial number or date code has been removed or defaced.

THE FOREGOING LIMITED WARRANTY IS BOGEN'S SOLE AND EXCLUSIVE WARRANTY AND THE PURCHASER'S SOLE AND EXCLUSIVE REMEDY. BOGEN MAKES NO OTHER WARRANTIES OF ANY KIND, EITHER EXPRESS OR IMPLIED, AND ALL IMPLIED WARRANTIES OF MERCHANTABILITY OR FITNESS FOR A PARTICULAR PURPOSE ARE HEREBY DISCLAIMED AND EXCLUDED TO THE MAXIMUM EXTENT ALLOWABLE BY LAW. Bogen's liability arising out of the manufacture, sale or supplying of products or their use or disposition, whether based upon warranty, contract, tort or otherwise, shall be limited to the price of the product. **IN NO EVENT SHALL BOGEN BE LIABLE FOR SPECIAL, INCIDENTAL OR CONSEQUENTIAL DAMAGES (INCLUDING, BUT NOT LIMITED TO, LOSS OF PROFITS, LOSS OF DATA OR LOSS OF USE DAMAGES) ARISING OUT OF THE MANUFACTURE, SALE OR SUPPLYING OF PRODUCTS, EVEN IF BOGEN HAS BEEN ADVISED OF THE POSSIBILITY OF SUCH DAMAGES OR LOSSES.** Some States do not allow the exclusion or limitation of incidental or consequential damages, so the above limitation or exclusion may not apply to you. This warranty gives you specific legal rights, and you may also have other rights which vary from State to State.

Products that are out of warranty will also be repaired by the Bogen Factory Service Department – same address as above or call 201-934-8500. The parts and labor involved in these repairs are warranted for 90 days when repaired by the Bogen Factory Service Department. All shipping charges in addition to parts and labor charges will be at the owner's expense. All returns require a Return Authorization number. For most efficient warranty or repair service, please include a description of the failure.

12/2008