



CSD2X2U-V2

70V, 25V, and 8Ω Speaker System

Installation and Use Guide

The CSD2X2U-V2 ceiling speaker has an 8" driver and a tap selector that allows it to be run as a ¼W to 4W speaker at 25V or 70V. It also includes a wire that bypasses the transformer and allows the speaker to operate at 8Ω. The V2 version of the speaker includes a unique mounting plate to greatly expand its capabilities by allowing several of Bogen's Nyquist products to be mounted to the speaker.

Mounting Plate

The mounting plate allows for the addition of several of Bogen's Nyquist products, including the NQ-GA10P, NQ-GA10PV, NQ-GA20P2, NQ-GA40P3, and the NQ-GAXMR1. Through this product integration, the CSD2X2U-V2 can operate as a Nyquist PoE-enabled active loudspeaker system as well as a VoIP intercom station.

Passive Speaker Configuration

Electrical Connection

1. Remove cover, install cable clamp (if desired), and feed interconnecting cable into the electrical box (see **Figure 1**).
2. See table on the right to select speaker leads for desired system type.
3. Cut bare wire tip off of unused speaker leads. Secure all mechanical connections and reinstall the cover.
4. Set tap selector switch to proper tap setting.

Note: All wiring must comply with NFPA 70.

COLOR	LEAD
RED	70V
YELLOW	25V
BLUE	8Ω
WHITE	Connect to BLUE for 70V and 25V; disconnect for 8Ω Input
BLACK	COM

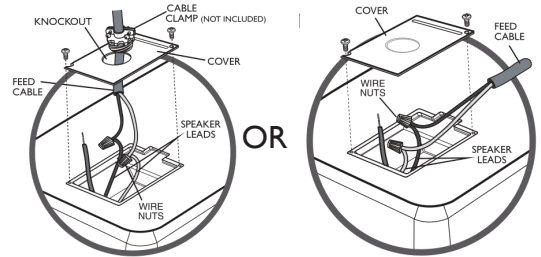
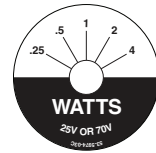


Figure 1: Electrical connections.

Nyquist PoE Amplifier and Speaker Configuration

Necessary components: NQ-GA10P or NQ-GA10PV.

Figure 2 shows the positioning for the mounting of the VoIP Intercom Module (NQ-GA10P) onto the speaker's mounting plate. For a closer look at the mounting plate, refer to **Figure 3**.

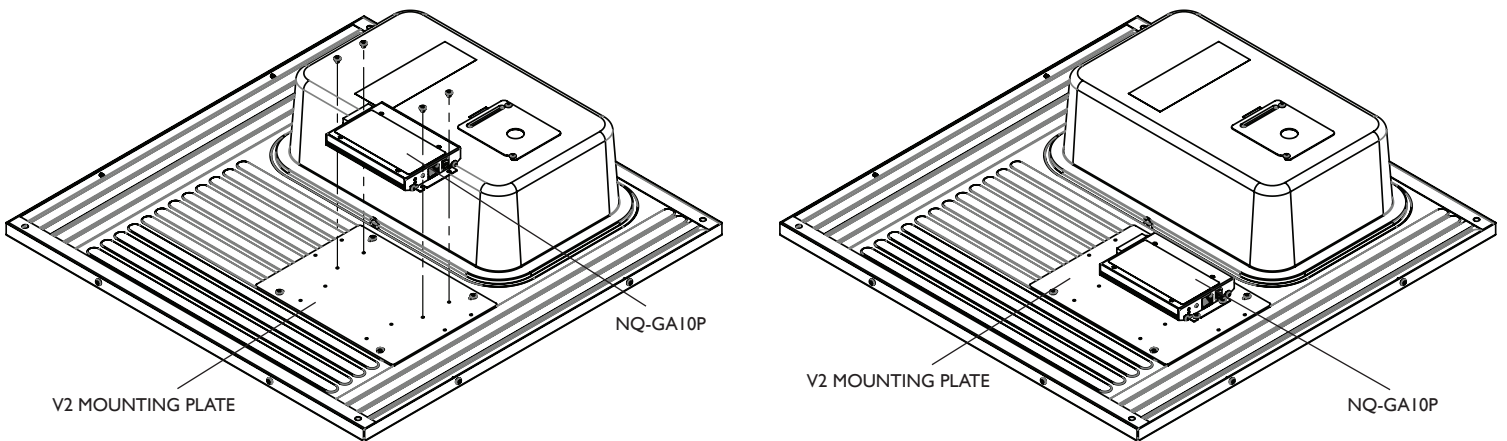


Figure 2: Mounting Intercom Module (NQ-GA10P shown)

CSDV2 Mounting Plate

The placement of mounting holes varies per module (see **Figure 3**). They are as follows:

A = NQ-GAXMR1

B = NQ-GA40P3

C = NQ-GA10P, NQ-GA10PV, or NQ-GA20P2

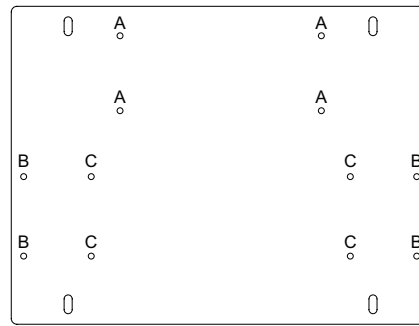


Figure 3: Mounting plate with holes marked for specific modules.

Wiring Instructions

Run, at minimum, a Cat 5 cable from the appropriate-sized PoE switch to the VoIP module. Wire the output of the VoIP module to the CSD speaker in the 8Ω configuration (see **Figure 4**). This has a 10W maximum at 8Ω operation.

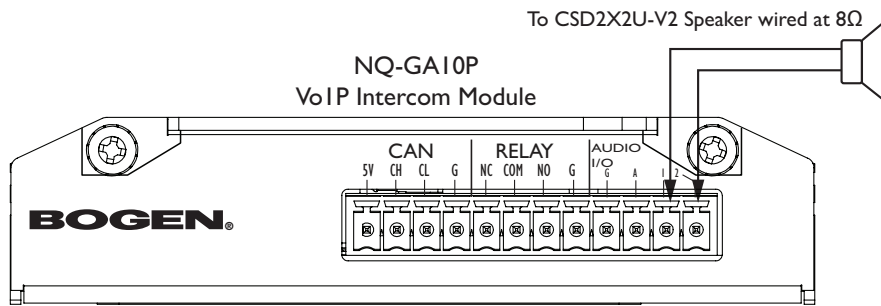


Figure 4: NQ-GA10P VoIP Intercom Module connect to CSD speaker.

Nyquist PoE Amplifier and 25V/70V Speaker Configuration

Necessary Components: NQ-GA10P, NQ-GA10PV, NQ-GA20P2, or NQ-GA40P3, and NQ-GAXMR1.

Figure 5 shows the positioning for the mounting of both the VoIP Intercom Module (NQ-GA10P) and the Distributed Audio Transformer (NQ-GAXMR1) onto the speaker's mounting plate. Refer back to **Figure 3** for the placement of the mounting holes used for these two modules.

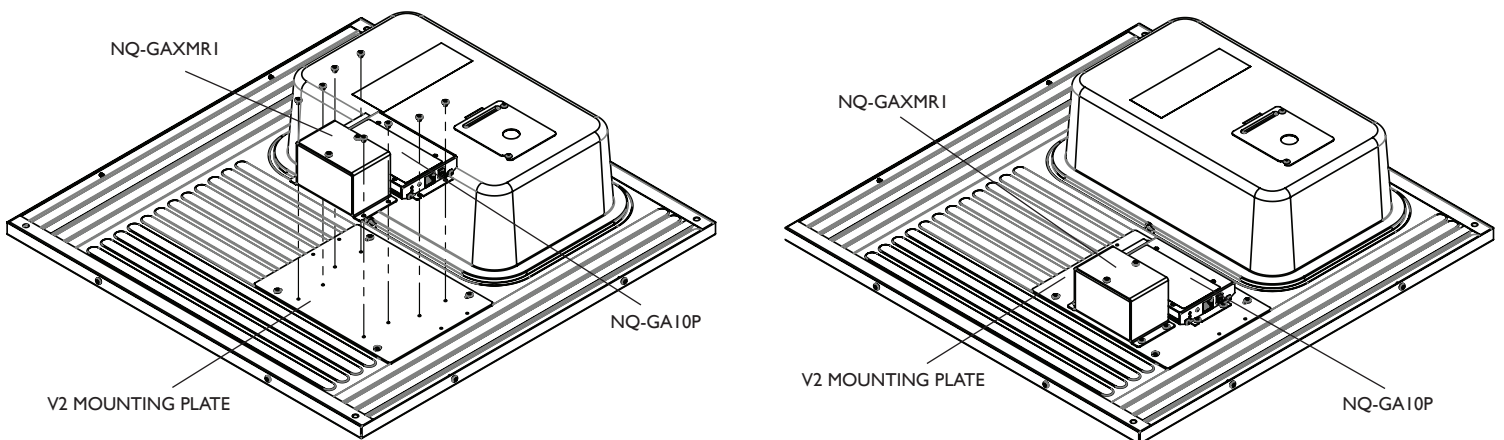


Figure 5: Mounting Intercom Module (NQ-GA10P shown) and NQ-GAXMR1

Wiring Instructions

Run, at minimum, a Cat 5 cable from the appropriate-sized PoE switch and connect this to the PoE amplifier module.

Figure 6 shows the NQ-GA40P3 connected to the NQ-GAXMR1. The NQ-GA40P3 can be replaced by either the NQ-GA10P/V (see **Figure 7**) or NQ-GA20P2 (see **Figure 8**) modules. These illustrations also show 25V wiring running from NQ-GAXMR1 to a CSD2X2U-V2 speaker and additional speakers if needed. 70V is also an option, but both outputs cannot be used simultaneously. If additional speakers are needed, proper care should be taken when wiring so the amplifier does not become overloaded.

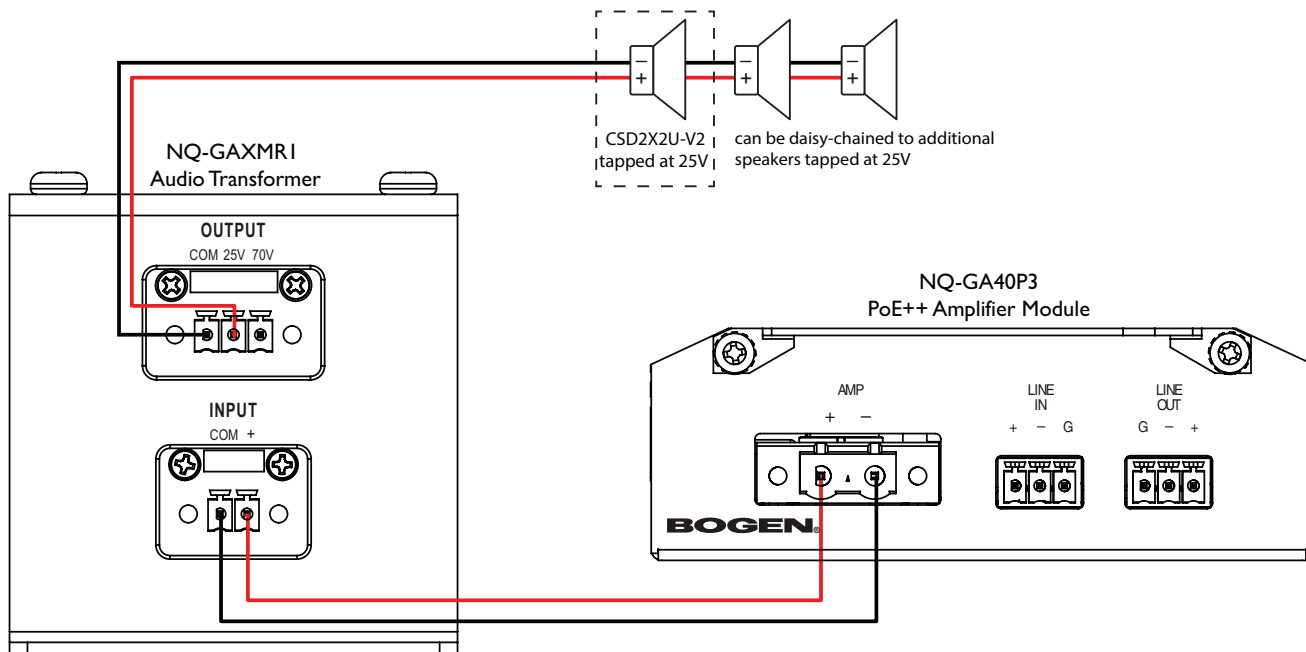


Figure 6: NQ-GA40P3 PoE++ Amplifier Module connected to NQ-GAXMR1 Audio Transformer, CSD2X2U-V2 Speaker, and additional speakers.

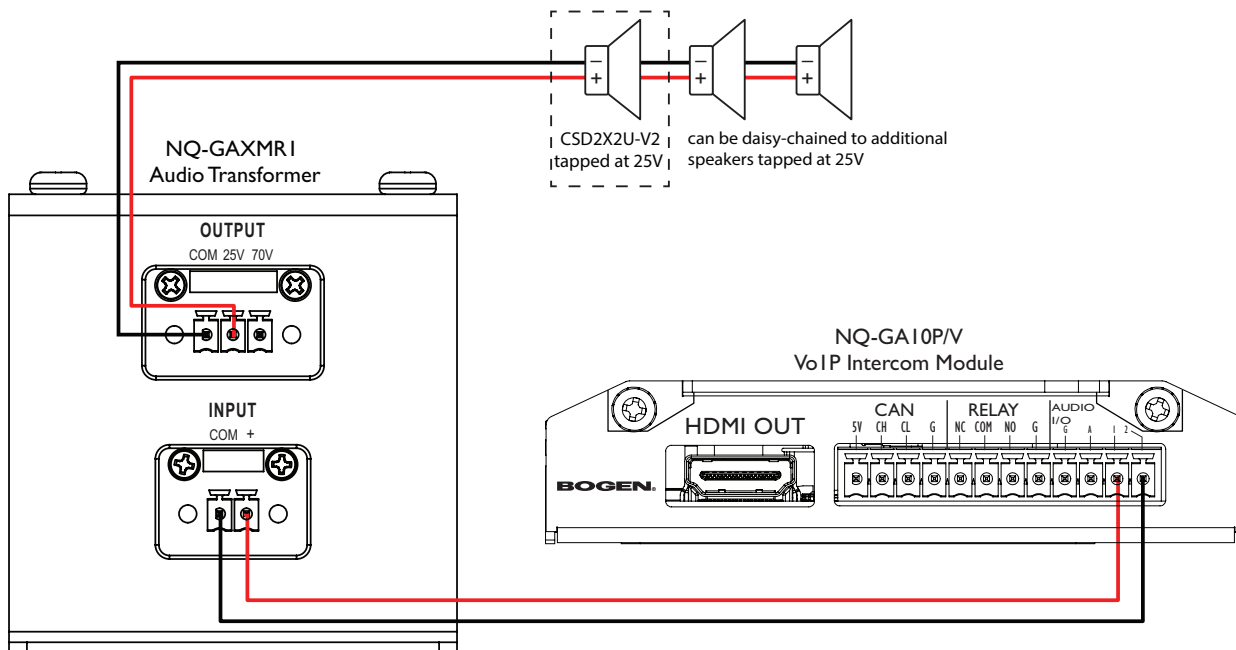


Figure 7: NQ-GA10P/V VoIP Intercom Module connected to NQ-GAXMR1 Audio Transformer then to speaker.

Note: The NQ-GA10P/V intercom function cannot be used when the speaker output is wired in the configuration illustrated in **Figure 7**.

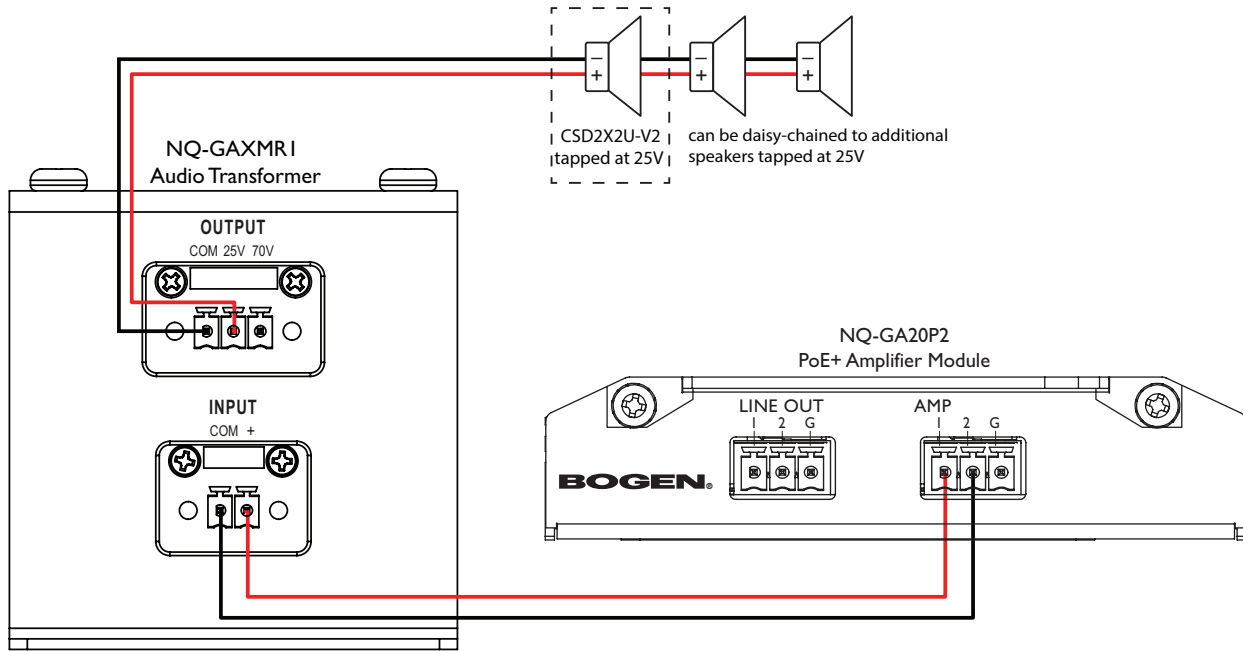


Figure 8: NQ-GA20P2 PoE+ Amplifier Module connected to NQ-GAXMR1 Audio Transformer and speaker.

Ceiling Mounting Instructions

NQ-CSD2X2U-V2 (2 × 2 ft. tile space)

1. Drop speaker into space (support rail not necessary).

NQ-CSD2X2U-V2 (2 × 4 ft. tile space)

1. Cut ceiling tile no more than 23³/₄".
2. Place speaker in ceiling with the tile support rail facing the ceiling-tile opening (see **Figure 9**).
3. Drop in the ceiling tile.

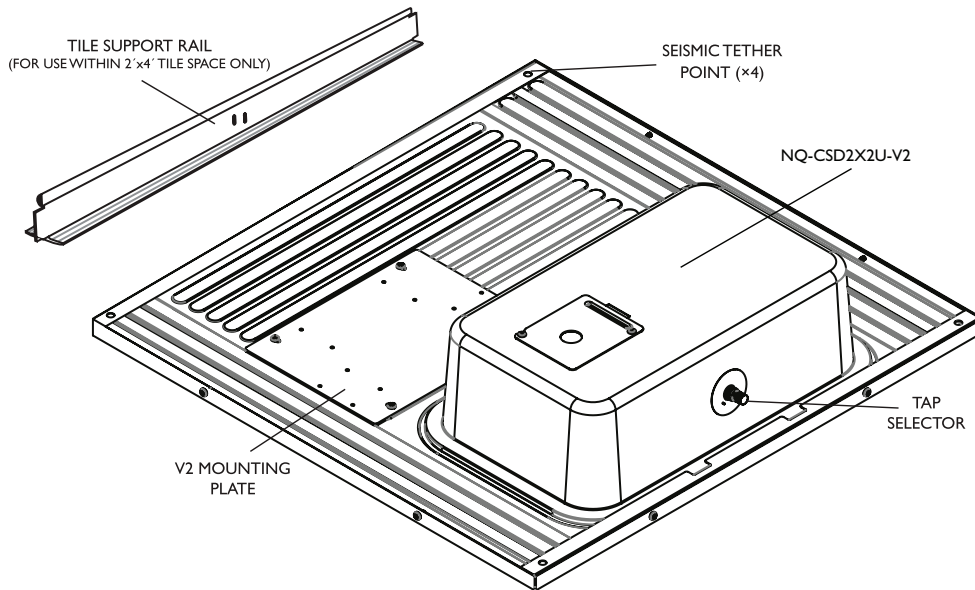


Figure 9: Speaker installation with mounting plate and tile support rail.

Safety

Listed to UL62368.

Two-Year Warranty

The CSD2X2U-V2 is warranted to be free from defects in material or workmanship for two (2) years from the date of sale to the original purchaser. This warranty does not extend to any of our products that have been subjected to abuse, misuse, improper storage, neglect, accident, improper installation or have been modified or repaired or altered in any manner whatsoever, or where the serial number or date code has been removed or defaced.

4/2023