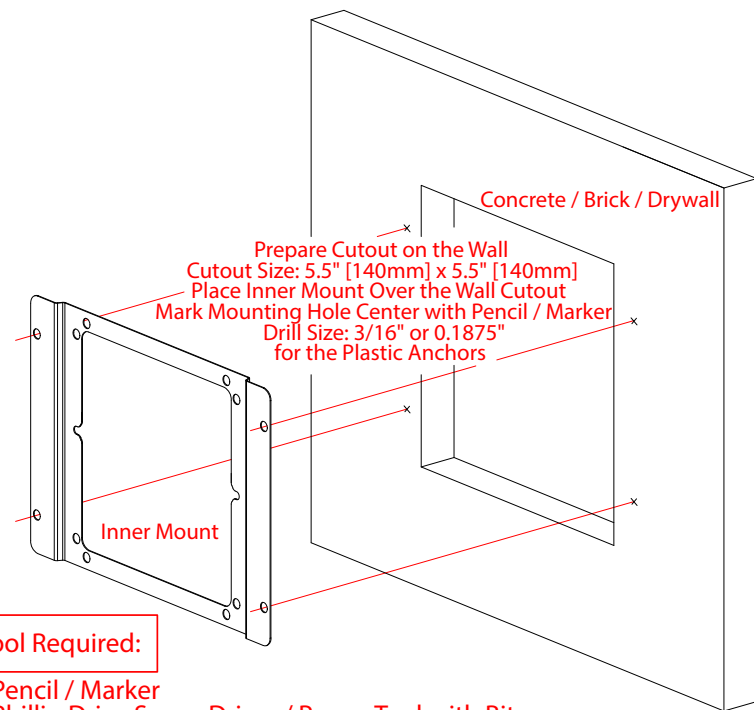


CyberData Installation Quick Reference

The IP Endpoint Company **011443 Flush Mount Kit, 1X**



Tool Required:

- 1) Pencil / Marker
- 2) Phillip Drive Screw Driver / Power Tool with Bit
- 3) A Hammer / a Rubber Mallet
- 4) 3/16" / 4.8mm Drill Bit (Use Correct Drill Bit for Drywall / Concrete)
- 5) T-15 Tamper-Resistant Torx Driver (Comes with Outdoor Intercom)
- 6) 5/16" / 8mm Wrench / Drive Socket to Remove Hex Nut from the Ground Stud
- 7) 11/32" / 9mm Wrench / Drive Socket to Remove Hole Plug Assembly (Nut)
- 8) Weatherproofing Silicone Sealant (Optional)

