



CTG-2A
Master Clock/Tone
Generator (DOD 464)



CL-RFT
Clock RF
Transmitter/
Repeater



CL-A12
12" Analog Clock
(surface mount
hardware included)



CL-A16
16" Analog Clock (surface
mount hardware included)



CL-D2
Digital Clock with 2.5"
Numbers (surface or
double mount housing
not included)



CL-D4
Digital Clock with 4"
Numbers (surface or double
mount housing not included)



CL-DMA12 / 16
Double Mount Housing for
12"/16" Analog Clocks
(clocks not included)

Viking's Wireless Clock System provides reliable, accurately synchronized clocks for your entire facility. Since time data is transmitted wirelessly, there's no need to run wires between clocks, making fresh installation or retrofitting of existing systems easy. While most wireless systems are limited to the range of the transmitter, Viking's system is not. Each clock features a built-in Repeater (transceiver), meaning the secondary clocks both receive and retransmit the wireless time signal, maximizing system coverage and reliability. The system is comprised of a **CTG-2A** master clock, a **CL-RFT** clock RF transmitter and Analog or Digital wireless clocks. Working on Viking's 915-928MHz frequency hopping technology ensures no chance of interference with other wireless products and requires no FCC license, eliminating extraneous fees. Installation is a cinch for our wireless clocks, just insert the batteries or connect power and hang them. That's it.

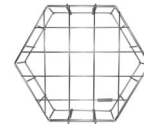
Viking's **CL Series** wireless clocks include automatic calibration, as well as clock-based diagnostics that allow the user to view the signal strength, how long since the clock received a signal, mechanical / display issues, and remaining battery life for Analog clocks. The 12 and 16 inch wireless Analog clocks receive and retransmit an RF synchronization signal every 2 hours (standard mode) or 4 hours (economy mode) allowing for a battery life of 5 years or 8 years respectively. The 2.5 and 4 inch digital clocks are powered by an included power adapter and receive and retransmit an RF clock sync signal every minute. Viking also offers a complete line of accessories for the Analog or Digital clocks such as: double mount housings, wire guards and surface mount housings (for digital clocks only).



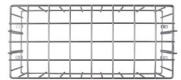
CL-DMD2/4
Double Mount
Housing for 2.5" /
4" Digital Clocks
(clocks not included)



CL-SMD2/4
Surface Mount
Housing for 2.5" /
4" Digital Clocks
(clock not included)



CL-WGA16
Wire Guard for 12" /
16" Analog Clocks



CL-WGD4
Wire Guard for 2.5" or 4"
Digital Clocks

Features

CTG-2A Master Clock/ Tone Generator:

- See the complete **CTG-2A** Product Manual, **DOD 464**

CL-RFT Clock RF Data Transmitter/Repeater:

- Transmits the **CTG-2A** RS485 clock sync data wirelessly to the CL Series wireless clocks
- Can be configured as a wireless repeater to extend RF transmit range
- Powerful transmission range: Up to 3300 ft in open space
- Compact, slim design makes it versatile for mounting
- Can wirelessly receive and transmit data
- LEDs for indication of transmission and/or receipt of RS485 signal
- Powerful 1 watt (30dBm) transmission
- Works with Viking's 915 - 928 MHz frequency-hopping technology
- FCC Part 14 compliance (no license required)

CL-D2 and CL-D4 Digital Clocks:

- Built-in repeater receives and retransmits clock sync signal each minute up to 200 ft in open space
- 915 – 928 MHz frequency-hopping technology
- Internal antenna
- Built-in diagnostic mode for easy maintenance
- Receives the RF Sync signal once a minute
- Immediate correction for time change
- 12 or 24 hour format
- Two (2) levels of adjustable brightness
- Loss of communication alert
- Available in red 2.5" and 4" displays
- Surface and double mount housing sold separately
- Optional wire guards (see **CL-WGD4** on page 11)

CL-A12 and CL-A16 Analog Clocks:

- Built-in repeater receives and retransmits clock sync signal up to 200 ft in open space
- 915 – 928 MHz frequency-hopping technology
- Internal antenna
- Built-in diagnostic mode for easy maintenance
- 5 yr battery life (standard mode) or 8 yr battery life (economy mode), (2) "D" cell batteries not included
- Black ABS case and polycarbonate crystal
- Optional double mount housing available (see **CL-DMA12/16** on page 5)

Applications

Using the CTG-2A, CL-RFT and CL Series Clocks:

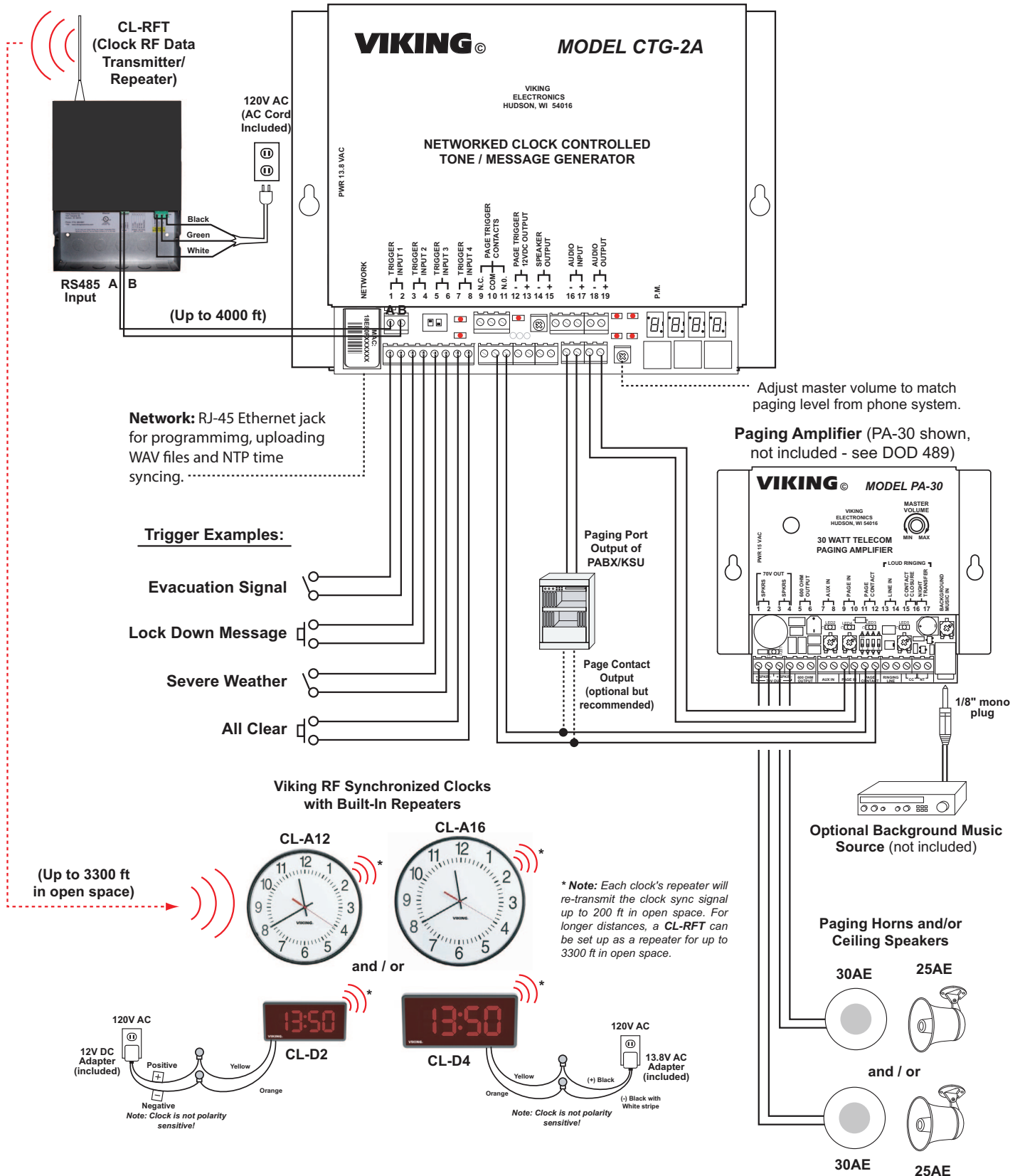
- Wirelessly synchronize all clocks in your facility to the Atomic clock
- Signal the beginning and end of class periods, breaks and lunch periods for schools
- Signal the beginning and end of shifts, breaks and lunch periods for factories/businesses
- Provide trigger controlled emergency alert messages for fire, flood, severe weather, lock down, etc.
- Provide messages at specific times for store sales, promotions, closing times, airport loading zones, etc.
- Provide Auxiliary contact activation at specific times for specific durations for controlling lights, cameras, unlocking doors/gates, etc.

Specifications

For complete specifications, see pages 3 - 11.

Installation

IMPORTANT: Electronic devices are susceptible to lightning and power station electrical surges from both the AC outlet and the telephone line. It is recommended that a surge protector be installed to protect against such surges.



CL-RFT RF Transmitter / Repeater

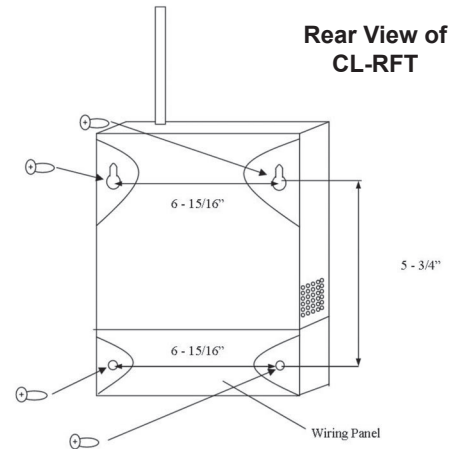
A. Specifications

- Input Voltage:** 90 - 230 Volts AC, 50 - 60 Hz
Input: RS485 (from Viking model CTG-2A)
RF Power Output: 1 watt (30dBm). Transmits up to 3300 ft in open space
Frequency Range: 915-928 MHz frequency hopping technology
Mount: Wall mount
Environmental: Operating: 0°C to 50°C
 Storage: -15°C to 70°C with 5% to 95% non-condensing humidity
Housing: Smooth surface metal enclosure
Color: Black
Shipping Weight: 4.9 lbs (2.22 kg)
Antenna Length: 7" (17.78cm)
Housing Dimensions: 11" x 8" x 1.7" (27.94cm x 20.32cm x 4.32cm) (with bottom cover)
Compliance: FCC compliant, part 15, section 15.247



B. Mounting

1. Remove the cover of the wiring panel.
2. Mark the four drilling points on the wall based on the drawing (right).
3. Drill the holes for the anchors supplied in the mounting kit at the designated markings from step 1.
4. Install the four anchors in the holes that were just drilled.
5. Install the first two screws in the top holes leaving 1/8" of the thread exposed.
6. Line up the top key slots over the screws and lock the **CL-RFT** into place.
7. Install the bottom screws through the wiring access panel and tighten.
8. After all wiring is complete, re-install the panel cover.



C. Wiring and Jumper Settings (Transmitter / Repeater Configuration)

The wireless Transmitter / Repeater can be configured to use either incoming wireless signals or RS485 data from the **CTG-2A** as a means of receiving time. To change the time data source:

1. POWER DOWN AND UNPLUG the Transmitter / Repeater.
2. Use a screwdriver to unlock the top panel.
3. Lift the top panel away from the repeater casing.
4. Identify the green circuit board with the two red connectors.

Locate the two black jumpers on the small lower PCB board. Moving the jumpers onto the pins closest to the red connectors will set the transmitter to receive time through the RS485 (**CTG-2A**) connection. Moving the jumpers onto the pins furthest from the red connectors will set the repeater to receive time data through wireless signals from other Viking RF transmitters or wireless Clocks.

JUMPERS IN TRANSMITTER POSITION

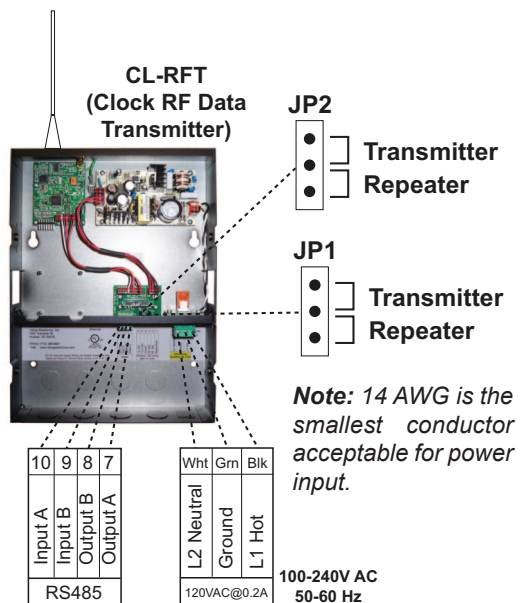
When the jumpers are on the upper pair of pins, the repeater will read the data from RS485 ports 9 and 10. It will then transmit time data as both a wireless signal and as a RS485 data through ports 7 and 8. The repeater will ignore incoming wireless time data in this mode.

JUMPERS IN REPEATER POSITION

When the jumpers are on the lower pair of pins, the repeater will read time data from wireless signal sent by Viking RF transmitters or wireless Clocks. It will then repeat the time data as a wireless signal. The repeater will ignore the RS485 input in this mode, and it will not produce RS485 data as an output.

Each Jumper must sit on 2 pins. If the Jumper is only sitting on one pin, the device may not work.

Both jumpers MUST be set to the same position to configure the repeater data source. Having one jumper on the upper pins and another on the lower pins may damage the repeater.



D. Installation

Place the main **CL-RFT** Transmitter in the building with optional repeaters (**CL-RFT** with JP1 and JP2 in “Repeater” position, see section C above) as needed to cover the entire premise. Repeaters are synchronized wirelessly to the main transmitter.

1. Place the main transmitter (**CL-RFT**) in a central location (hallway recommended).
2. Pick the location of the optional repeaters.
3. Place the repeaters in a location where the signal is available from the main transmitter.
4. Repeat the above mentioned steps with the corresponding repeaters. Please note that the corresponding repeaters can receive a signal from another repeater, and not only from the main transmitter.

E. Support

1. Frequently Asked Questions

Where is the best location for the Transmitter/Repeater to be mounted?

Usually, the hallway is the best location because it is mostly open space in typical applications.

How far can the Transmitter/Repeater transmit the wireless signal?

The Transceiver can transmit up to 3300 ft in open space.

Can analog wireless clocks be combined with digital wireless clocks?

Absolutely. The analog and digital wireless clocks are designed to work together, whether the clocks are running on battery (analog wireless clock only), or 24 volts (digital clocks only).

Will the Transmitter/Repeater have interference from cordless or cellular phones?

No, because with Viking’s innovative frequency-hopping technology, interference will not occur. The repeater switches frequencies automatically when the receiver and transmitter is open, thus interference is avoided.

My power source is 220 volts. Can the Transmitter/Repeater be powered on that voltage?

Yes, the Transmitter/Repeater can work on 110 volts/50-60 Hz or 220 volts/50-60 Hz.

Can I connect these clocks to my Wi-Fi network?

These clocks use a proprietary wireless format to communicate. They do not connect to a Wi-Fi network for communication.

2. Troubleshooting

The clocks aren’t receiving the signal. What should I do?

Make sure that the Transmitter/Repeater is in a place where the signal can be transmitted in open space.

What should I do if the Transmitter/Repeater is not powering up?

Measure the voltage between pins L1 & L2. The voltmeter should read 90 - 230 VAC between the hot and the neutral.

CL-A12 / CL-A16 Analog Clocks

A. Specifications

CL-A12 Clock Size: 12.9” (32.7cm) outer diameter, 2.4” (6.1cm) depth

CL-A16 Clock Size: 16.7” (42.3cm) outer diameter, 2.5” (6.4cm) depth

Time Base: Quartz automatic calibration

Battery Life: 5 years (normal mode), 8 years (economy mode) using (2) Duracell Procell “D” Batteries (not included). **Note:** Standard alkaline batteries can be used but will have a slightly shorter battery life.

Input Sensitivity: -103 dbm

Transmitter (Repeater) Power Output: 1/4 watt (8 dbm). Transmits up to 200 ft in open space.

Operating Sensitivity: 915-928 MHz frequency hopping technology

Color: Standard black

Dial: Durable polystyrene material

Case: Smooth surface ABS case

Crystal: Shatterproof, side molded polycarbonate crystal

Movement Dimensions: 7.32” x 3.46” x 1.81” (18.59cm x 8.79cm x 4.6cm)

Shipping Weight: CL-A12: 2.9 lbs (1.32 kg)

CL-A16: 4.5 lbs (2.04 kg)

Mounting Kit Includes: (2) plastic anchors, (2) 10 x 1.5 sheet metal screws, (1) mounting bracket

Compliance: FCC compliant, part 15, section 15.247 (no license required)

Environmental: 0° C to 45° C (32° F to 113° F) with 5% to 95% non-condensing humidity

* **Note:** Each clock has a built-in Repeater (Transceiver) which receives and retransmits the clock sync signal up to 200 ft in open space. For longer distances, a **CL-RFT** can be set up as a repeater for up to 3300 ft in open space.



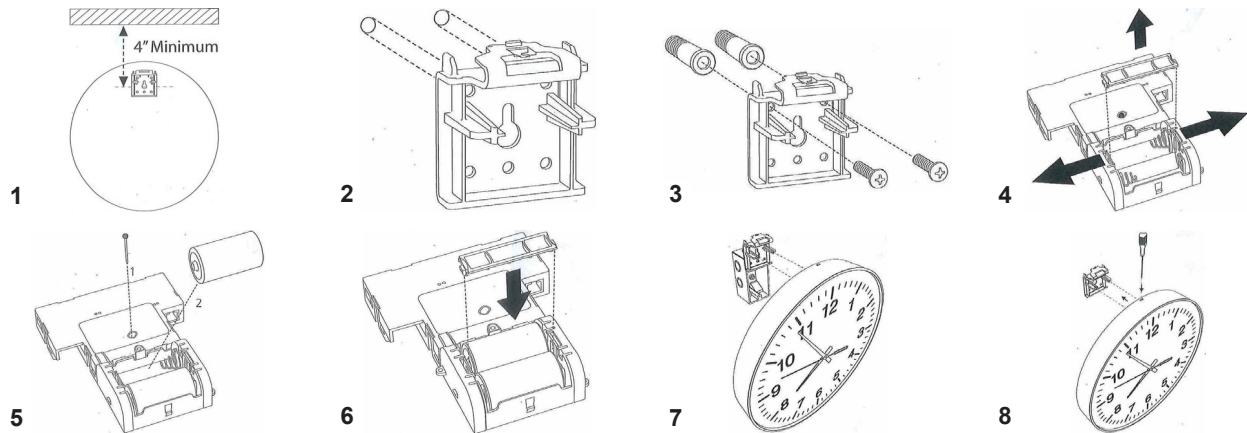
CL-A12
(12” Analog
Clock)



CL-A16
(16” Analog
Clock)

B. Wall Mounting the CL-A12 and CL-A16

1. Place the mounting piece on the wall. Leave at least 4 inches between the top of the mounting piece and ceiling. Confirm that the bottom of the mounting piece is level with the floor.
2. Use a pencil to mark the positions of the top two holes, then use the 1/4 inch drill bit to drill holes at the locations of the two marks.
3. Insert the wall anchors into the two holes, then place the two self tapping screws through the mounting piece and into the wall anchors.
4. Remove the back cover from the battery pack by pulling the two latches away to either side and sliding the cover out.
5. **First remove the gearbox pin**, then insert the batteries into the clock. If the clock is within range of a powered transmitter, the hands should begin to move within a minute.
6. Place the cover back onto the battery pack. You should hear a snapping noise as the latches engage.
7. Attach the clock to the mounting piece by sliding the clock back onto it. You should hear a snapping noise as the latch engages.
8. If you need to take the clock off the wall after the installation has been completed, use a flat-blade screwdriver or eyeglasses screwdriver to lower the mounting piece latch, then slide the clock off the mounting piece.



C. Double Mount CL-DMA12 and CL-DMA16 for the CL-A12 and CL-A16 Clocks

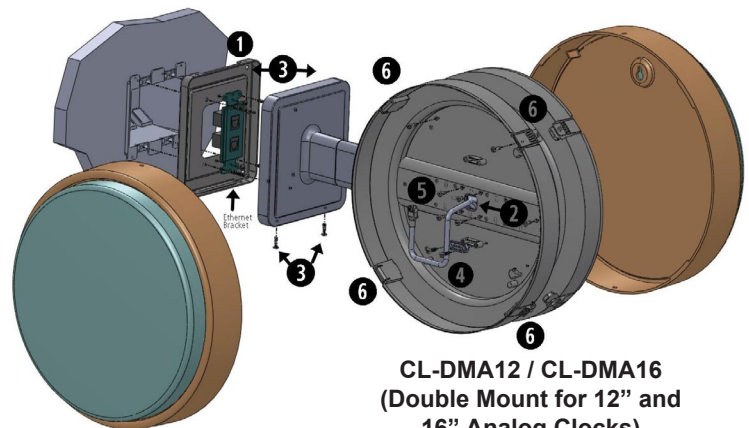
For metal mounting bracket: Use anchor that can support 50 lbs with a maximum screw size of 10/1.5"

1. **Install Metal Mounting Bracket** - First, remove the metal mounting bracket from the inside of the double mount base by unscrewing the two (2) 6-32 x 1/2" screws located on the underside of the base (save these screws for step #3). Next, screw the metal mounting bracket to the wall or ceiling in which the clocks are being installed. To mount to the switch box, screw the four (4) 6-32 x 1" screws supplied in the assembly kit through the inner four holes of the metal mounting bracket to the wall or ceiling. Use the outer four holes to mount anchors to the wall or ceiling (both anchors and screws for anchors not supplied in kit).

Note: if using a plastic switch box, a ground wire must be routed through the switch box and into one (1) of the four (4) metal mounting bracket screws in order to provide ground to the metal mounting bracket.

Note: the metal mounting bracket **MUST** be secured by both the screws going to the switch box **AND** the anchors going into the wall.

2. **Feed wiring through base and pole** - Take the wiring coming from the switch box and begin to feed it through the center of the base of the mounting assembly until it emerges from the hole in the center of the clock adaptor. Make sure there is roughly 1.5' - 2' of wiring coming from the switch box. Perform this task for both clocks.
3. **Snap and screw base to metal mounting bracket** - Snap the base to the metal mounting bracket by first making contact with the lip in the upper side of the base and the metal mounting bracket. When the base has been snapped onto the bracket, take the two (2) 6-32 x 1/2" pan head screws that originally came installed on the base of the mounting assembly and screw them back into the two holes on the underside of the base to secure the base to the metal mounting bracket.
4. **Connect switch box wires to clock harness** - Take the wiring harness supplied with the clock and make all necessary connections between the wiring harness and the switch box wires using wire nuts. Perform this task for both clocks.
5. **Plug and secure wiring to clock** - Loosen and slip excess wiring through provided wire clamp (comes attached to each clock adaptor) and tighten the clamp. After securing excess wiring, plug the jack at the end of the wiring into the appropriate jack on the back of the clock.
6. **Attach and screw clocks to adaptors** - Find all four (4) tabs located on each adaptor. Snap the clock onto the adaptor, making sure all four (4) tabs on the adaptor are secured to the clock (if installing battery powered clocks, make sure batteries are installed at this point). After securing the clock to the adaptor with the tabs, the clock should be able to rotate 5 degrees left and right. Rotate to align the clocks with the ceiling or wall. Secure its position by using the four (4) 6-19 x 7/16" screws that come attached to the clock adaptor from the factory and screw them into the four (4) tabs on the adaptor.



CL-DMA12 / CL-DMA16 Specifications

Housing: No glass fiber ABS Plastic

Shipping Weight: CL-DMA12: 4.2 lbs (1.91 kg)
CL-DMA16: 6.1 lbs (2.77 kg)

D. Operation

IMPORTANT: We highly recommend installing the CTG-2A Clock/Tone Controller and CL-RFT Transmitter before the installation of the CL Series clocks.

IMPORTANT: Remove pin from back of clock before installing batteries.

In order to install the **CL-A12/16** clocks, simply remove the battery cover, and install two (2) D cell batteries (recommended battery type: Duracell PROCELL). After installation of the battery, replace the battery cover and the clock should start correcting within five (5) minutes. If the clock does not automatically correct itself, then manually press the Transmit/Receive (located on the right) switch once on the clock closest to the clock that isn't working. The second hand will go to 8 notifying the user that the clock is transmitting a signal. Then go to the clock that isn't working and press the Transmit/Receive switch twice. The second hand will go to 4 notifying the user it is looking for a signal. This should get the signal to the clock. **Note: The Transmit/Receive signal window is 10 minutes and multiple clocks can receive from the transmitting clock during that period.**

Normal Mode / Economy Mode

The **CL-A12/16** clocks have two different modes in which they will operate. Normal mode allows the clock to transmit/receive every 2 hours. This mode will allow the clock to have a 5 year battery life (provided good reception). Economical mode allows the clock to transmit/receive every 4 hours. This mode will allow the clock to have up to a 8 year battery life (provided good reception).

Normal mode is defaulted when shipped from the factory.

To toggle this mode, push and release the Diagnostic Switch and the Transmit/Receive switch simultaneously. If 5 year mode is selected, the LED will be solid RED for two minutes and the second hand will go to 5 (25 seconds). If 8 year mode is selected, the LED will be solid GREEN for two minutes and the second hand will go to 8 (40 seconds).

IMPORTANT: If a clock is being added to an existing system, it must be in normal mode.

E. Support

1. Frequently Asked Questions

What battery size do I use for the wireless clock?

The batteries required are two (2) "D" cell batteries. The recommended battery type is "Duracell: Procell [D] size".

Will the clock cause interference with any of my other wireless devices?

No, the CL Series wireless clock works on 915 - 928 MHz frequency-hopping technology. The clock switches frequencies automatically when the receiver and transceiver is open, thus interference is avoided.

How long does it take for the clock to receive a signal?

Upon power up of the clock, the receiver will be turned on for ten (10) minutes until the signal is acquired. If the user wishes to manually look for the signal, press the Transmit/Receive switch twice on the movement.

Can the clocks be set manually to display the correct time at installation (as a temporary measure until the master clock is installed)?

*CL Series clocks can **NOT** be set manually.*

Can I connect these clocks to my Wi-Fi network?

These clocks use a proprietary wireless format to communicate. They do not connect to a Wi-Fi network for communication.

2. Troubleshooting

What happens if I power up the clock and the clock is not moving?

The clock should move at normal speed upon power up. If it does not move at normal speed, check the battery and make sure the clock receives power. Also, be sure to remove the pin prior to starting up the clock.

What happens if the clock does not receive the signal?

*Take the clock within close proximity to the **CL-RFT** Transmitter and power up the clock. If the clock is battery operated, remove the battery and put the battery back in again or press the Transmit/Receive button twice. If the clock does not correct, call Viking technical support.*

What happens if the clock shows the wrong time?

Move the clock to Diagnostic #1 in order to find the last time that it received the signal. Perform a Diagnostic #3 to check the gears for the clock.

How do you know if the clock receives a good signal?

Perform Diagnostic #2. See page 7 for detailed instructions.

I have a location with a marginal signal. What should I do?

*Move your Transmitter closer to the location or add a Repeater (**CL-RFT** with JP1 and JP2 in "Repeater" position, see page 3) between the Transmitter and the location with marginal signal.*

3. Diagnostic Testing

The number of times that the switch is pressed will determine the diagnostic mode. After determining the diagnostic mode, the LED to the left of the two (2) switches will start flashing a green light. The number of flashes will display the diagnostic number.

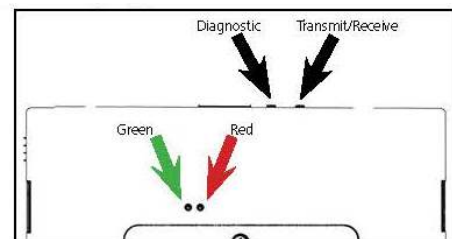
Diagnostic #1

This diagnostic will determine how long (# of hours) since the clock last received the communication signal. To enter diagnostic #1 mode, push the Diagnostic Switch once which is indicated by the green LED flashing one time every 3 seconds.

A. While in diagnostic modes, hour and minute hands continue to run normally.

B. The second hand will display how long since the clock received time signal (please see table on Page 7 for details).

C. After three (3) minutes, the clock will resume normal operation.



Second Hand Position	Time Since Clock Last Received a Communication Signal
12	Clock has received communication in the past hour
1	Clock has received communication between one and two hours ago
2	Clock has received communication between two and three hours ago
3	Clock has received communication between three and four hours ago
4	Clock has received communication between four and five hours ago
5	Clock has received communication between five and six hours ago
6	Clock has received communication between six and seven hours ago
7	Clock has received communication between seven and eight hours ago
8	Clock has received communication between eight and nine hours ago
9	Clock has received communication between nine and ten hours ago
10	Clock has received communication between ten and eleven hours ago
11	Clock has received communication over eleven hours ago, or the receiver is out of range of the transmitter

Diagnostic #2

This diagnostic will determine the quality of the time signal. To enter Diagnostic #2 mode, push the Diagnostic Switch twice which is indicated by the green LED flashing twice every 3 seconds.

- A. While in diagnostic modes, hour and minute hands continue to run normally.
- B. The second hand will display the quality of the time signal. (The signal percentage is displayed on the dial of the clock. It goes from 1 – 10, with 10 being the best signal strength and 1 being the least signal strength.)
- C. After three (3) minutes, the clock will resume normal operation.

Diagnostic #3 / Manufacturing Default

Note: All user configured settings will be defaulted. This test takes approximately 10 minutes.

This diagnostic will test the mechanical portion and some of the electronic components of the clock. To enter Diagnostic #3 mode, push the Diagnostic Switch three times which is indicated by the green LED flashing three (3) times with a 5 second break between each flash. If an error occurs, the clock will flash the red LED to signal the error code number (please see table below). If the LED is solid green the test is completed and everything passed. While in Diagnostic #3, the clock will perform the following steps:

- A. Clock moves second hand to 00.
- B. Clock moves second hand again to 00, to verify that the hands arrived after sixty (60) pulses.
- C. Clock moves minute and hour hands to the next known position.
- D. Clock moves minute and hour hands again to the same known position in order to verify that the hands reach the position after 720 pulses.
- E. Clock moves the hour and minute hands to 12:00:00.
- F. Press the Transmit/Receive button twice. The second hand should move to the 4 until it has acquired the clock signal or until 10 minutes has elapsed.

Number of Red Flashes	Diagnosis of Error Code
1,2.	Clock detected problem with second hand. Check hands to see if they are hitting each other. Repeat test.
3,4,5.	Clock detected problem with hour/minute hand. Check to see if they are hitting each other. Repeat test.
6,7,8	Call tech support.

Diagnostic #4

This diagnostic will test the battery level of the clock. To enter Diagnostic #4 mode, push the Diagnostic Switch four (4) times which is indicated by the LED flashing four times every two seconds. The second hand will display the battery level by stopping at one of the numbers on the clock's face. For example:

- If the second hand lands on 2, the battery level is 2.2V.
- If the second hand lands on 5, the battery level is 2.5V.
- If the second hand lands on 9, the battery level is 2.9V.
- If the second hand lands on 10, the battery level is 3V.
- If the second hand lands on 11, the battery level is more than 3V.

Note: Clock operation becomes unstable if battery output drops below 2.2V DC, so running a diagnostic at this voltage may cause erratic behavior.

CL-D2 / CL-D4 Digital Clocks

A. Specifications

Display Digit Size: 2.5" (6.35 cm) and 4.0" (10.16 cm) tall

Display Color: Vibrant Red

Number of Digits: 4 digits

Visibility: CL-D2: 150 ft. (30.48 m), CL-D4: 250 ft. (76.2 m)

Bezel Color: Anti-glare red

Bezel Size (HxW): CL-D2: 4.69" (11.91 cm) x 10.31" (26.19 cm)

CL-D4: 6.75" (17.15 cm) x 13.31" (33.8 cm)

Environmental: Operating: 0°C to 45°C, Storage: -15°C to 75°C with 5% to 95% non-condensing humidity

Operating Frequency: 915 - 928 MHz frequency-hopping technology

Input Sensitivity: -103 dBm

Transmitter (Repeater) Power Output: 1/4 watt (8 dbm). Transmits up to 200 ft in open space.

Input Voltage for CL-D2: 12-30 VDC, 12-30 VAC. 12V DC adapter included

Input Voltage for CL-D4: 16-28 VDC, 14-28 VAC. 13.8V AC adapter included

CL-D2 Average Current Consumption (max brightness): 85 mA @ 24 VAC

CL-D4 Average Current Consumption (max brightness): 190 mA @ 24VAC

Display Format: 12 or 24 hour mode

Brightness: Two levels, adjustable

Shipping Weight: CL-D2: 2.0 lbs (0.91 kg), CL-D4: 3.5 lbs (1.59 kg)

CL-SMD2: 1.3 lbs (0.59 kg), CL-SMD4: 2.0 lbs (0.91 kg)

CL-DMD2: 4.2 lbs (1.91 kg), CL-DMD4: 6.1 lbs (2.77 kg)

Mounting: Surface Mount (see CL-SMD2/4 below) or

Double Mount (CL-DMD2/4 on page 9) housing required

Compliance: FCC compliant, part 15, section 15.247 (no license required)



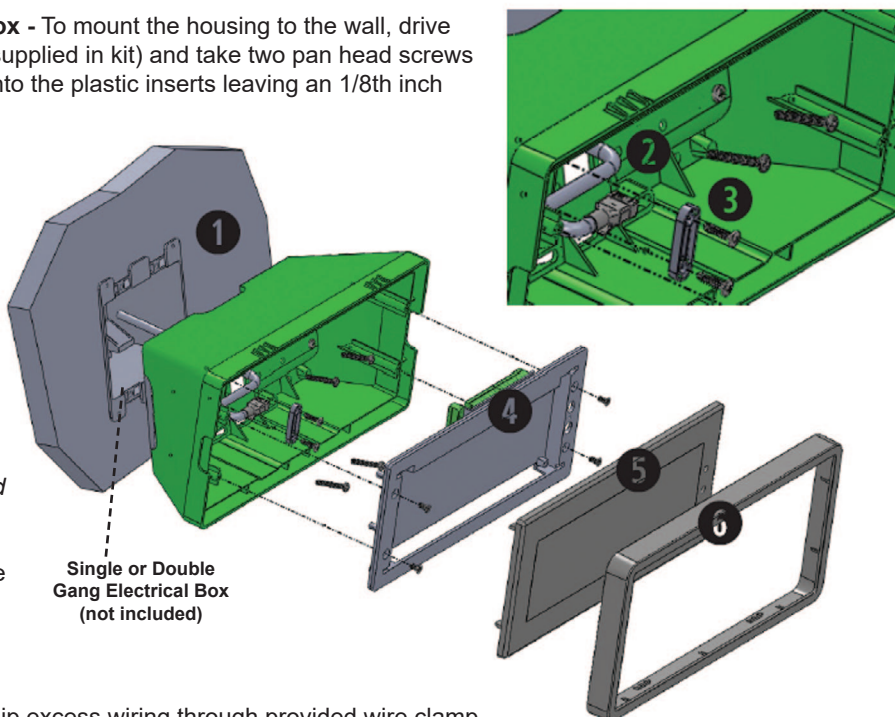
* **Note:** Each clock has a built-in Repeater (Transceiver) which receives and retransmits the clock sync signal up to 200 ft in open space. For longer distances, a CL-RFT can be set up as a repeater for up to 3300 ft in open space.

B. Wall Mount Using Optional CL-SMD2 or CL-SMD4 Surface Mount Housing

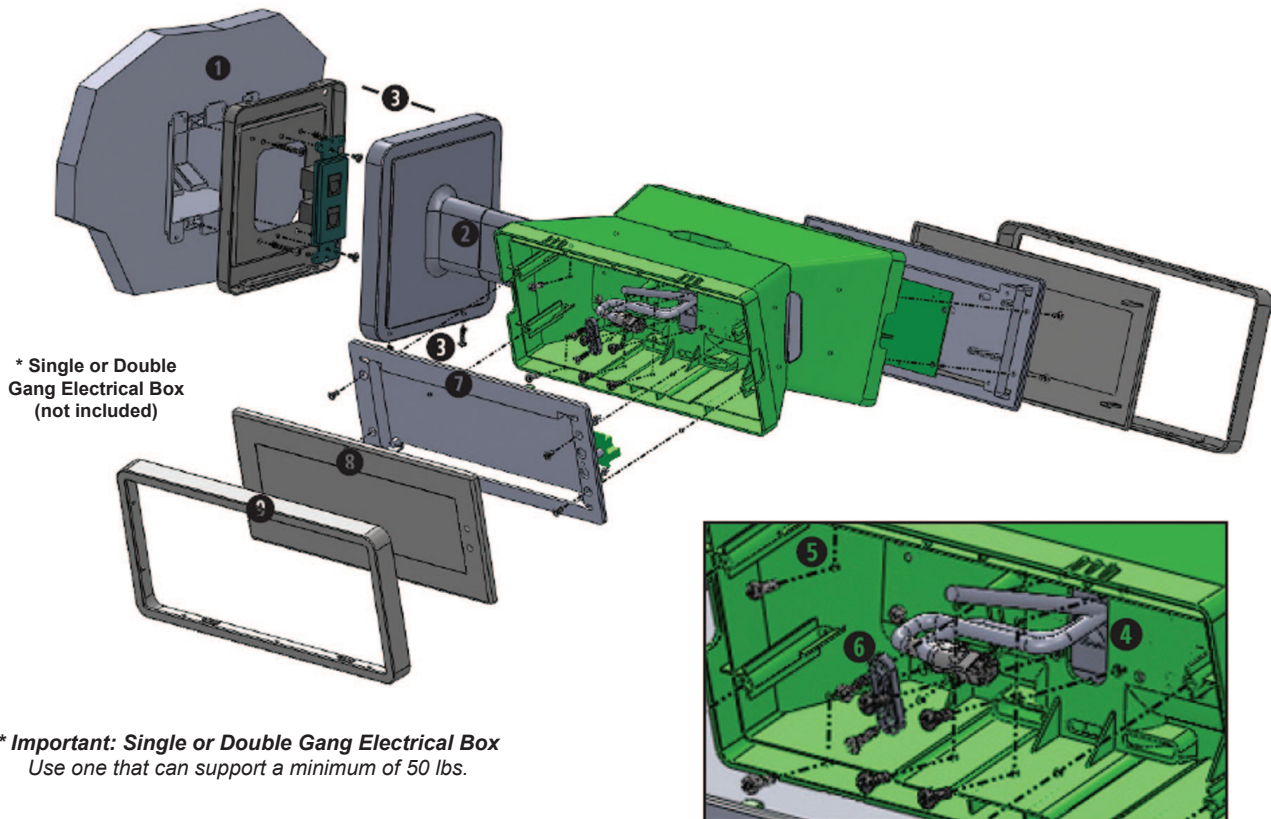
- 1. Mount Housing to Wall and/or Gang Box** - To mount the housing to the wall, drive two (2) plastic anchors into the wall (not supplied in kit) and take two pan head screws (also not supplied in kit) and drive them into the plastic inserts leaving an 1/8th inch gap between the head of the screw and the wall. Mount the housing to the wall by lining up the two holes in the back of the top of the housing with the two screws with the 1/8 inch gap from the wall and slide the housing onto the heads of the screws. To mount the housing to the gang box, take the four (4) 6-32 x 1" screws (supplied in kit) and screw them through the four holes in the center of the inside of the housing and the four holes in the gang box.

Note: If using a metal gang box, a ground must be provided to the gang box.

- 2. Feed Wiring Into the Housing** - Take the wire coming from the inside of the gang box and feed it through the hole in the middle of the housing.
- 3. Plug and Secure Wiring** - Loosen and slip excess wiring through provided wire clamp (comes attached to the housing) and tighten the clamp. After securing excess wiring, plug the jack at the end of the wiring into the appropriate jack on the back of the display board.
- 4. Mount Display Board to Housing** - Using the four (4) self tapping, 6-19 x 1/2" flat head screws supplied in the assembly kit, take the display board and screw it to the front side of the clock housing (4 screws per clock).
- 5. Snap on Filter** - Take the red filter bezel and snap it on to the front side of the housing.
- 6. Snap on Frame** - Take the gray frame and snap it on to the front side of the housing.



C. CL-DMD2 / CL-DMD4 Double Mount Installation



- 1. Install Metal Mounting Bracket** - Screw the metal mounting bracket to the wall or ceiling in which the clock is being installed using the four (4) 6-32 x 1" screws supplied in the assembly kit. Use the inner four holes to mount to the gang box. Use the outer four holes to mount anchors to the wall (anchors not supplied in kit).

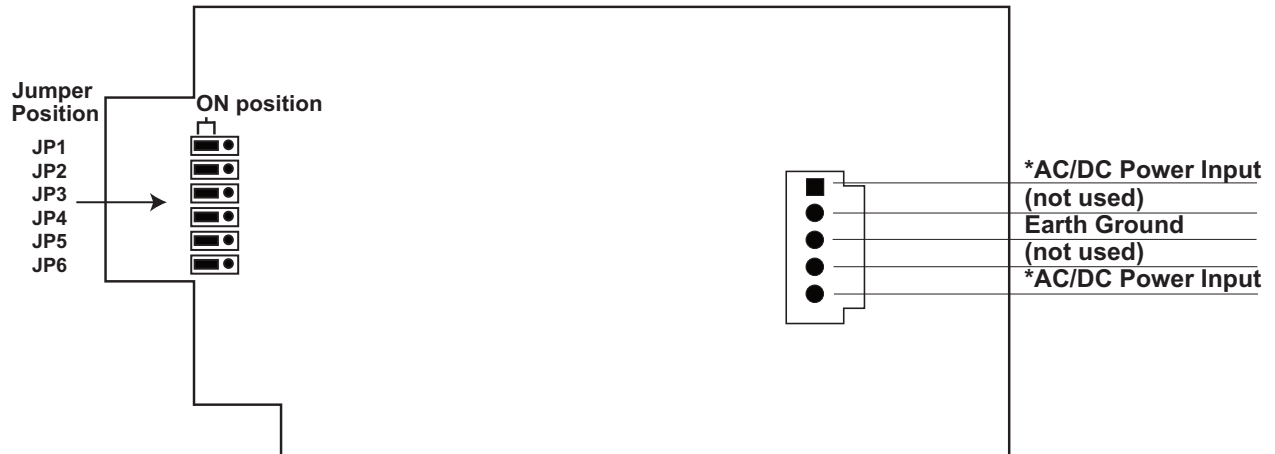
Notes: If using a plastic gang box, a ground wire must be routed through the gang box and into one (1) of the four (4) Metal Mounting Bracket screws in order to provide ground to the Metal Mounting Bracket. Note: The Metal Mounting Bracket **MUST** be secured by both the screws going to the gang box AND the anchors going into the wall.

- 2. Feed Wiring Through Base and Pole** - Take the wire coming from the gang box and feed it through the supplied mounting pole and base.
- 3. Snap and Screw Base to Metal Mounting Bracket** - With the wire now fed through the base and the pole, snap the base to the metal mounting bracket by first making contact with the lip in the upper side of the base and the metal mounting bracket. When the base has been snapped onto the bracket, take the two (2) 6-32 x 1/2" pan head screws supplied in the assembly kit and screw them into the two holes on the underside of the base to secure the base to the Metal Mounting Bracket.
- 4. Mount Clock Housings to Pole** - Feed the wiring from the end of the mounting pole into the hole in the middle of each clock housing. Align each housing, one at a time, with the four holes on the mounting pole and screw from the inside of the housing into the pole using the four (4) 8-32 x 7/16" screws supplied in the assembly kit (4 screws per clock).

Note: End caps from one side of each clock must be removed to mount both clocks to the mounting pole. Remove one end cap from each clock from the side in which the mounting pole enters the clock.
- 5. Screw Both Housings Together** - Using the two (2) self tapping, 6-19 x 7/16" screws supplied in the assembly kit, screw both back sides of the clock housings together (2 screws per clock).
- 6. Plug and Secure Wiring** - Loosen and slip excess wiring through provided wire clamp (comes attached to each housing) and tighten the clamp. After securing excess wiring, plug the jack at the end of the wiring into the appropriate jack on the back of the display board. Perform this task for both clock housings.
- 7. Mount Display Board to Housing** - Using the four (4) self tapping, 6-19 x 1/2" flat head screws supplied in the assembly kit, take the display board and screw it to the front side of the clock housing (4 screws per clock).
- 8. Snap on Filter** - Take the red filter bezel and snap it on to the front side of each clock housing.
- 9. Snap on Frame** - Take the gray frame and snap it on to the front side of each clock housing.

D. Wiring and Jumper Settings

View of CL-D2/4 Digital Clock Circuit Board



***Note:** Power input is not polarity sensitive.
See "Input Voltage" specifications on page 8.

Jumper Number	Description	ON (factory default)	OFF
JP1	12/24 hour mode	12 hour mode	24 hour mode
JP2	Brightness	Brightest	Bright
JP3	(not used)	N/A	N/A
JP4	(not used)	N/A	N/A
JP5	(not used)	N/A	N/A
JP6	(not used)	N/A	N/A

E. Support

1. Frequently Asked Questions

Will the clock cause interference with any of my other wireless devices?

No, the **CL-D2/4** series wireless clocks work on 915 - 928 MHz frequency-hopping technology. The clock switches frequencies automatically when the receiver and transmitter is open, thus interference is avoided.

How long does it take for the clock to receive a signal?

Upon power up, the clock will look for the signal for 30 minutes. The **CL-D2/4** series wireless clock will look for the signal every minute thereafter.

Do the CL-D2/4 wireless clocks work together with CL-A12/16 Series analog wireless clocks?

Yes, the **CL-D2/4** wireless clocks work integrally with Viking's **CL-A12/16** series wireless analog clocks.

How many ways can I mount the CL-D2/4 Series clock?

The clock can be mounted in either surface or double mount. Please see pages 8 and 9 for more information on mounting instructions.

Can the CL-D2/4 digital clocks be used as an independent clock?

No, the **CL-D2/4** requires a communication input and must be used with a Viking Transmitter/Repeater (model **CL-RFT**).

What will happen if the clock is not receiving a signal?

The colon on the display will flash every second.

How can the clock be powered?

The **CL-D2** clock is available in 12-30 volt AC/DC model only. The **CL-D4** is available in 16-28V DC / 14-28V AC model only. AC power adapters are provided with each clock.

Can I connect these clocks to my Wi-Fi network?

These clocks use a proprietary wireless format to communicate. They do not connect to a Wi-Fi network for communication.

2. Troubleshooting

What happens if the clock doesn't power up?

Make sure the wiring is correct. The power should be on the orange and yellow wires of the harness. The middle (green) wire is ground. If the wiring is correct, take a volt meter and measure the voltage. The voltage should be between 14 - 28 volts.

What happens if the clock does not receive the signal?

Take the clock within close proximity to the transmitter and power the clock. If the clock does not correct, call Viking technical support at (715) 386-8666.

I have a location with a marginal signal. What should I do?

Move your Transmitter closer to the location or add a Repeater (CL-RFT with JP1 and JP2 in "Repeater" position, see page 3) between the Transmitter and the location with marginal signal.

CL-WGA16 Wire Guards

Specifications for CL-WGA16

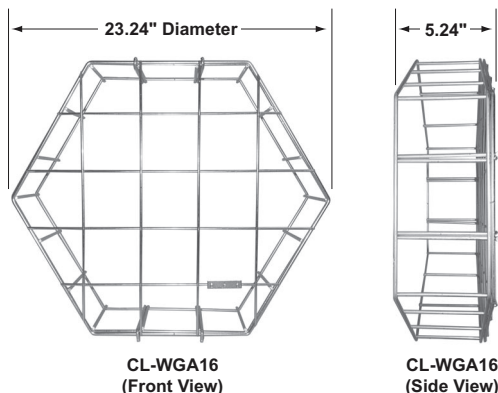
Description: Optional wire guard for use with the Viking **CL-A12** and **CL-A16** 16" round analog clocks

Dimensions: 23.24" x 20.19" x 5.24"
(59.03cm x 51.28cm x 13.31cm)

Shipping Weight: 5.2 lbs (2.36 kg)

Wire: 6 gauge

Finish: Zinc plated epoxy, lacquered baked clear coat



CL-WGD4 Wire Guard

Specifications for CL-WGD4

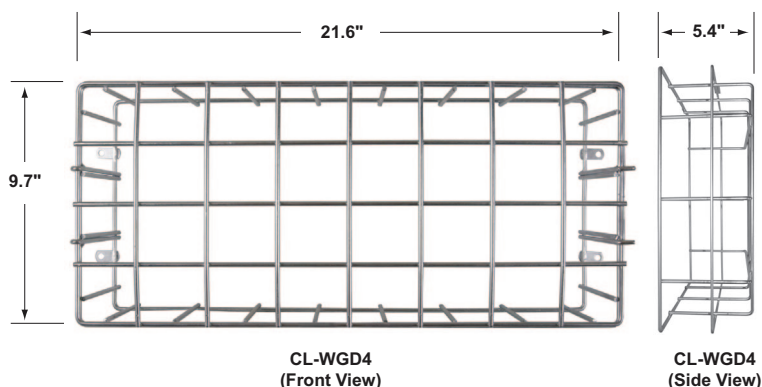
Description: Optional wire guard for use with the Viking **CL-D2** or **CL-D4** digital clock

Dimensions: 21.6" x 9.7" x 5.4" (54.86cm x 24.64cm x 13.72cm)

Shipping Weight: 4.6 lbs (2.09 kg)

Wire: 3, 6 and 9 gauge

Finish: Zinc plated epoxy, lacquered baked clear coat



Warranty

IF YOU HAVE A PROBLEM WITH A VIKING PRODUCT, CONTACT VIKING TECHNICAL SUPPORT: 715-386-8666

Our Technical Support Department is available for assistance Monday through Friday 8:00am to 5:00pm central time. Before you call, please:

1. Know the model number, the serial number and what software version you have (see serial label).
2. Have the Product Manual in front of you.
3. It is best if you are on site.

RETURNING PRODUCT FOR REPAIR

The following procedure is for equipment that needs repair:

1. Customer must contact Viking's Technical Support Department at 715-386-8666 to obtain a Return Authorization (RA) number. The customer MUST have a complete description of the problem, with all pertinent information regarding the defect, such as options set, conditions, symptoms, methods to duplicate problem, frequency of failure, etc.
2. Packing: Return equipment in original box or in proper packing so that damage will not occur while in transit. The original product boxes are not designed for shipping - an overpack box is required to prevent damage in transit. Static sensitive equipment such as a circuit board should be in an anti-static bag, sandwiched between foam and individually boxed. All equipment should be wrapped to avoid packing material lodging in or sticking to the equipment. Include ALL parts of the equipment. C.O.D. or freight collect shipments cannot be accepted. Ship cartons prepaid to: **VIKING ELECTRONICS
1531 INDUSTRIAL STREET
HUDSON, WI 54016**
3. Return shipping address: Be sure to include your return shipping address inside the box. We cannot ship to a PO Box.
4. RA number on carton: In large printing, write the RA number on the outside of each carton being returned.

RETURNING PRODUCT FOR EXCHANGE

The following procedure is for equipment that has failed out-of-box (within 10 days of purchase):

1. Customer must contact Viking's Technical Support at 715-386-8666 to determine possible causes for the problem. The customer MUST be able to step through recommended tests for diagnosis.
2. If the Technical Support Product Specialist determines that the equipment is defective based on the customer's input and troubleshooting, a Return Authorization (RA) number will be issued. This number is valid for fourteen (14) calendar days from the date of issue.
3. After obtaining the RA number, return the approved equipment to your distributor. Please reference the RA number on the paperwork being shipped back with the unit(s), and also the outside of the shipping box. The original product boxes are not designed for shipping - an overpack box is required to prevent damage in transit. Once your distributor receives the package, they will replace the product over the counter at no charge. The distributor will then return the product to Viking using the same RA number.
4. **The distributor will NOT exchange this product without first obtaining the RA number from you. If you haven't followed the steps listed in 1, 2 and 3, be aware that you will have to pay a restocking charge.**

TWO YEAR LIMITED WARRANTY

Viking warrants its products to be free from defects in the workmanship or materials, under normal use and service, for a period of two years from the date of purchase from any authorized Viking distributor. If at any time during the warranty period, the product is deemed defective or malfunctions, return the product to Viking Electronics, Inc., 1531 Industrial Street, Hudson, WI., 54016. Customer must contact Viking's Technical Support Department at 715-386-8666 to obtain a Return Authorization (R.A.) number.

This warranty does not cover any damage to the product due to lightning, over voltage, under age, accident, misuse, abuse, negligence or any damage caused by use of the product by the purchaser or others. This warranty does not cover non-EWP products that have been exposed to wet or corrosive environments. This warranty does not cover stainless steel surfaces that have not been properly maintained.

NO OTHER WARRANTIES. VIKING MAKES NO WARRANTIES RELATING TO ITS PRODUCTS OTHER THAN AS DESCRIBED ABOVE AND DISCLAIMS ANY EXPRESS OR IMPLIED WARRANTIES OR MERCHANTABILITY OR FITNESS FOR ANY PARTICULAR PURPOSE.

EXCLUSION OF CONSEQUENTIAL DAMAGES. VIKING SHALL NOT, UNDER ANY CIRCUMSTANCES, BE LIABLE TO PURCHASER, OR ANY OTHER PARTY, FOR CONSEQUENTIAL, INCIDENTAL, SPECIAL OR EXEMPLARY DAMAGES ARISING OUT OF OR RELATED TO THE SALE OR USE OF THE PRODUCT SOLD HEREUNDER.

EXCLUSIVE REMEDY AND LIMITATION OF LIABILITY. WHETHER IN AN ACTION BASED ON CONTRACT, TORT (INCLUDING NEGLIGENCE OR STRICT LIABILITY) OR ANY OTHER LEGAL THEORY, ANY LIABILITY OF VIKING SHALL BE LIMITED TO REPAIR OR REPLACEMENT OF THE PRODUCT, OR AT VIKING'S OPTION, REFUND OF THE PURCHASE PRICE AS THE EXCLUSIVE REMEDY AND ANY LIABILITY OF VIKING SHALL BE SO LIMITED.

IT IS EXPRESSLY UNDERSTOOD AND AGREED THAT EACH AND EVERY PROVISION OF THIS AGREEMENT WHICH PROVIDES FOR DISCLAIMER OF WARRANTIES, EXCLUSION OF CONSEQUENTIAL DAMAGES, AND EXCLUSIVE REMEDY AND LIMITATION OF LIABILITY, ARE SEVERABLE FROM ANY OTHER PROVISION AND EACH PROVISION IS A SEPARABLE AND INDEPENDENT ELEMENT OF RISK ALLOCATION AND IS INTENDED TO BE ENFORCED AS SUCH.

FCC

This equipment has been tested and found to comply with the limits for a Class B digital device, pursuant to Part 15 of the FCC rules. These limits are designed to provide reasonable protection against harmful interference in a commercial installation. This equipment generates, uses and can radiate radio frequency energy and, if not installed and used in accordance with the instructions, may cause harmful interference to radio communications. However, there is no guarantee that interference will not occur in a particular installation. If this equipment does cause harmful interference to radio or television reception, which can be determined by turning the equipment off and on, the user is encouraged to try to correct the interference by one or more of the following measures:

- a) Reorient or relocate the receiving antenna.
- b) Increase the separation between the equipment and receiver.
- c) Connect the equipment to an outlet on a circuit different from which the receiver is connected.
- d) Consult the dealer or an experienced radio/TV technician.

FCC WARNING

Modifications not expressly approved by the manufacturer could void the user authority to operate the equipment under FCC Rules.

Note: For precautionary measures, FCC recommends a distance of 10cm from the clock to constant human physical exposure.

Product Support: 715-386-8666

Due to the dynamic nature of the product design, the information contained in this document is subject to change without notice. Viking Electronics, and its affiliates and/or subsidiaries assume no responsibility for errors and omissions contained in this information. Revisions of this document or new editions of it may be issued to incorporate such changes.